

BOMAX

BM-1046 PARTS LIST



SHANGHAI BOAMX ENGINEERING INC.

Address: Blvd.4 No.300 Youdong Rd, Shanghai, China, 201100

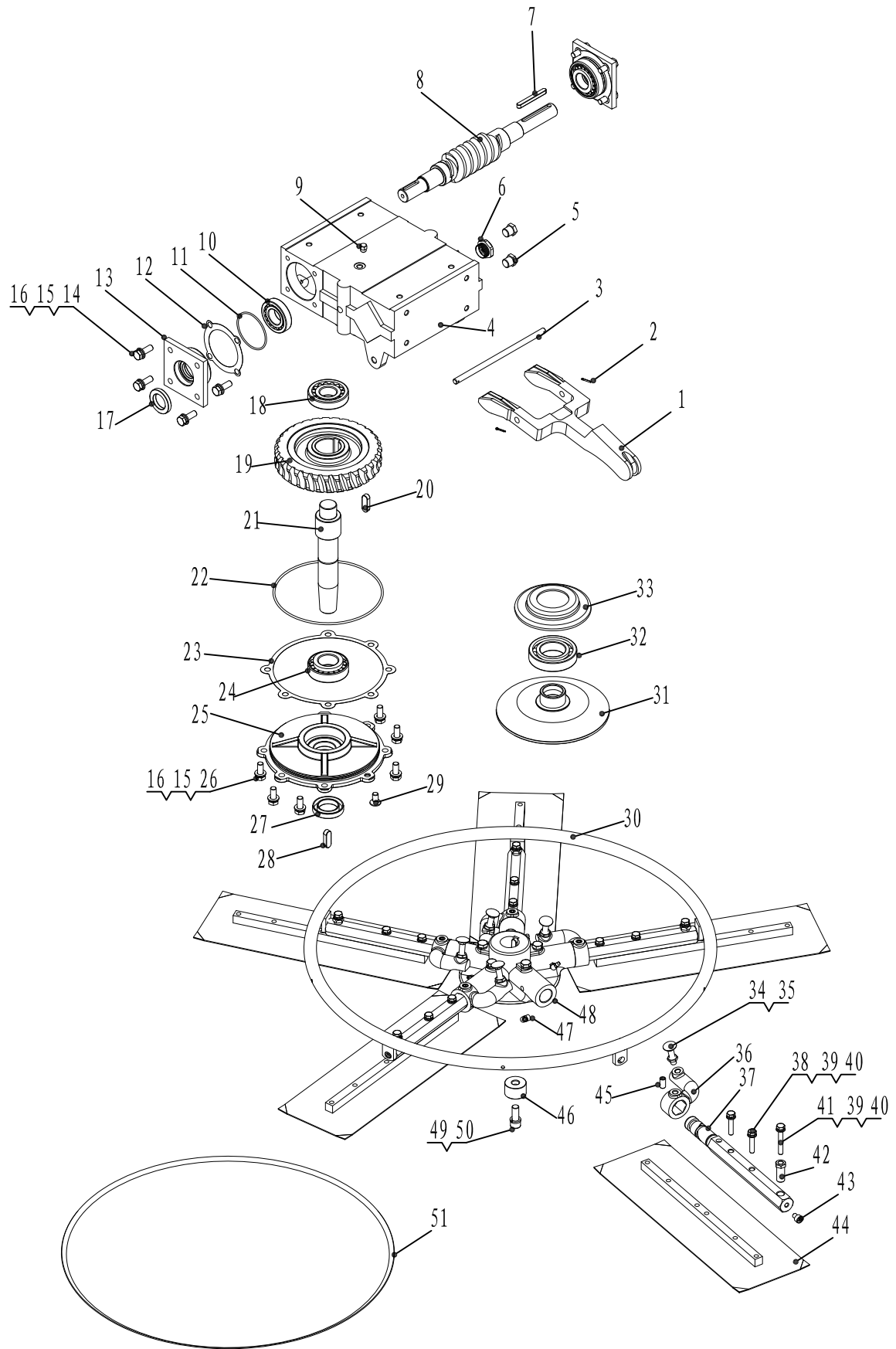
Tel: 86 21 54882951

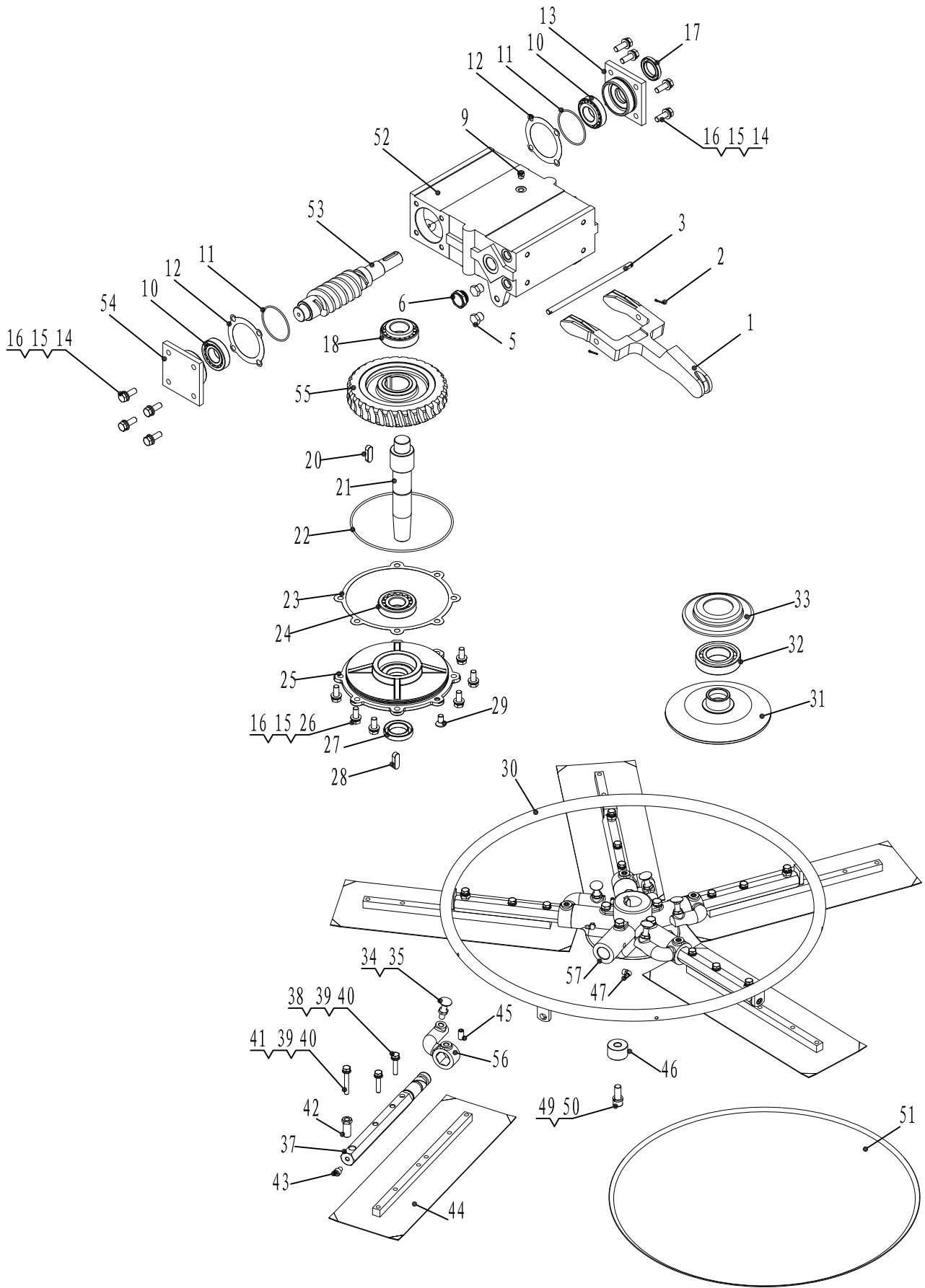
Fax: 86 21 54882948

Website: www.bomaxengineering.com

E-mail: webmaster@bomaxengineering.com

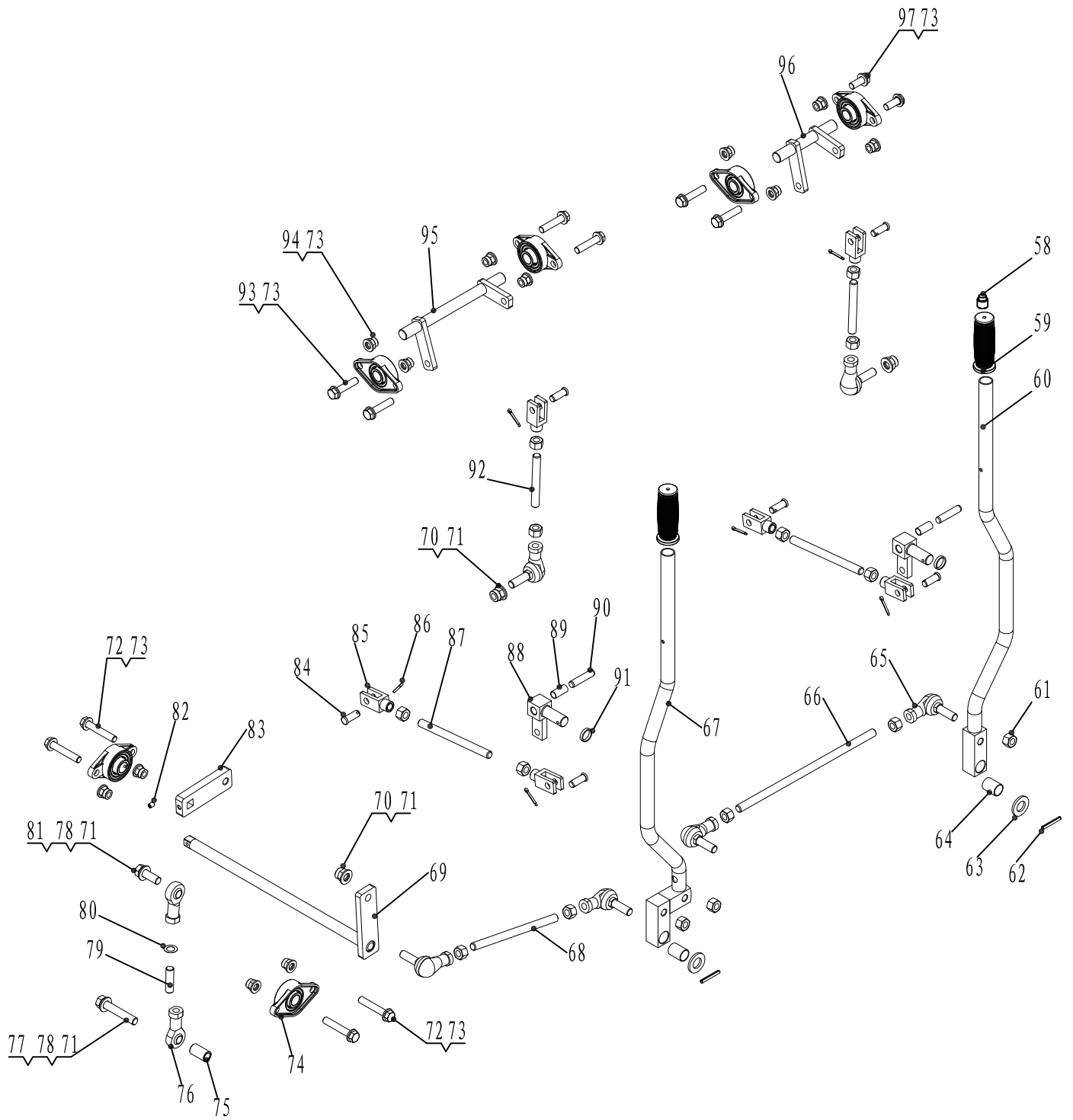
Ver.01 2016





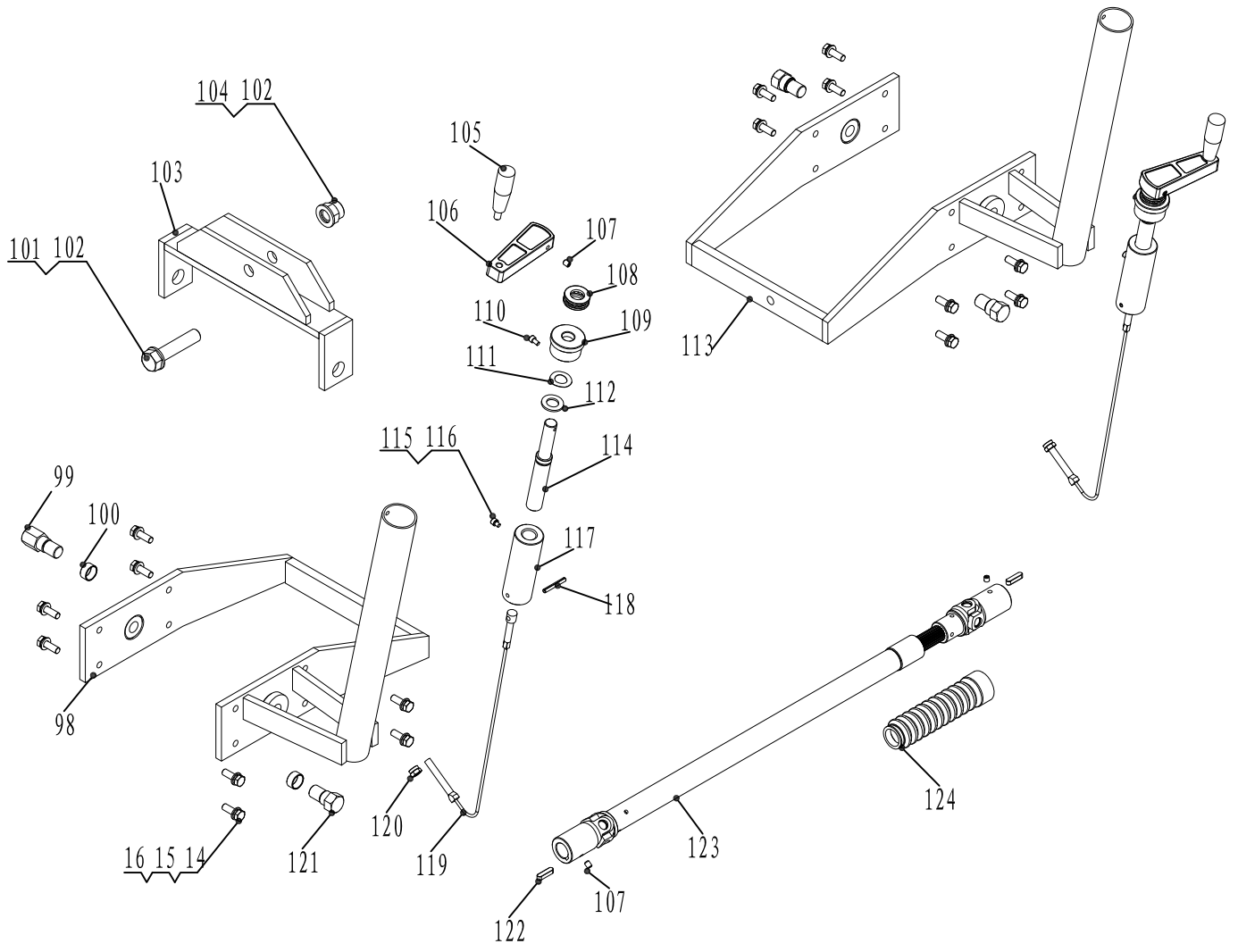
Left & Right gearbox Assy.

Ref.No.	Parts No.	Description	Qty	Price(\$/pc)	Remark
1	LJ1046A-03-004	yoke arm	2		
2	GB/T91-2000	pin	4		
3	LJ1046A-03-007	yoke arm shaft	2		
4	LJ1046-02-001	left gearbox shell	1		
5	JPC-80-PE06	oil plug	4		
6	JB/T7941.2-1995	check windows	2		
7	GB1096-1979	keyway	1		
8	LJ1046-02-010	left worn shaft	1		
9	GB/T8159-1987	air valve	2		
10	GB/T297-1994	bearing	4		
11	GB/T3452.1-2005	O ring	4		
12	LJ1046-02-013	gasket	4		
13	LJ1046-02-005	side cover	3		
14	GB/T5783-2000	Hex bolt	32		
15	GB/T93-1987	Spring washer	44		
16	GB/T95-1985	plate washer	68		
17	GB/T9877.1-1988	oil sealer	3		
18	GB/T297-1994	bearing	2		
19	LJ1046-02-008	left worn gear	1		
20	GB1096-1979	keyway	2		
21	LJ1046-02-006	main shaft	2		
22	GB/T3452.1-2005	O ring	2		
23	LJ1046-02-012	gasket	2		
24	GB/T297-1994	bearing	2		
25	LJ1046-02-003	cover	2		
26	GB/T5783-2000	Hex bolt	12		
27	GB/T9877.1-1988	oil sealer	2		
28	GB1096-1979	keyway	2		
29	GB/T70.3-2000	Inner hex bolt	2		
30	LJ1046A-01-003	spider ring	2		
31	446F-003	press plate	2		
32	GB/T276-1994	bearing	2		
33	446F-004	press plate cover	2		
34	GB/T14-1998	bolt	10		
35	GB/T6172.1-2000	thin nut	10		
36	LJ1046A-01-004	angle arm	5		
37	LJ1046A-01-006	blade shaft	10		
38	GB/T5783-2000	Hex bolt	20		
39	GB/T93-1987	Spring washer	41		
40	GB/T95-1985	plate washer	56		
41	GB/T5783-2000	Hex bolt	12		
42	446F-033	blade adjust screw	10		
43	GB/T70.1-2000	Inner hex bolt	10		
44	446F-028	blades	10		
45	GB/T77-2000	screw	10		
46	LJ1046A-01-007	bushing	2		
47	JB/T7940.2-1995	oil cap	10		
48	LJ1046A-01-002	right sipder	1		
49	GB/T70.1-2000	Inner hex bolt	2		
50	GB/T93-1987	Spring washer	2		
51	BR-WH3505 FLAT	pan	4		
52	LJ1046-02-002	right gearbox shell	1		
53	LJ1046-02-011	right worn shaft	1		
54	LJ1046-02-004	side cover	1		
55	LJ1046-02-009	right worn gear	1		
56	LJ1046A-01-005	angle arm(right side)	5		
57	LJ1046A-01-001	left spider	1		



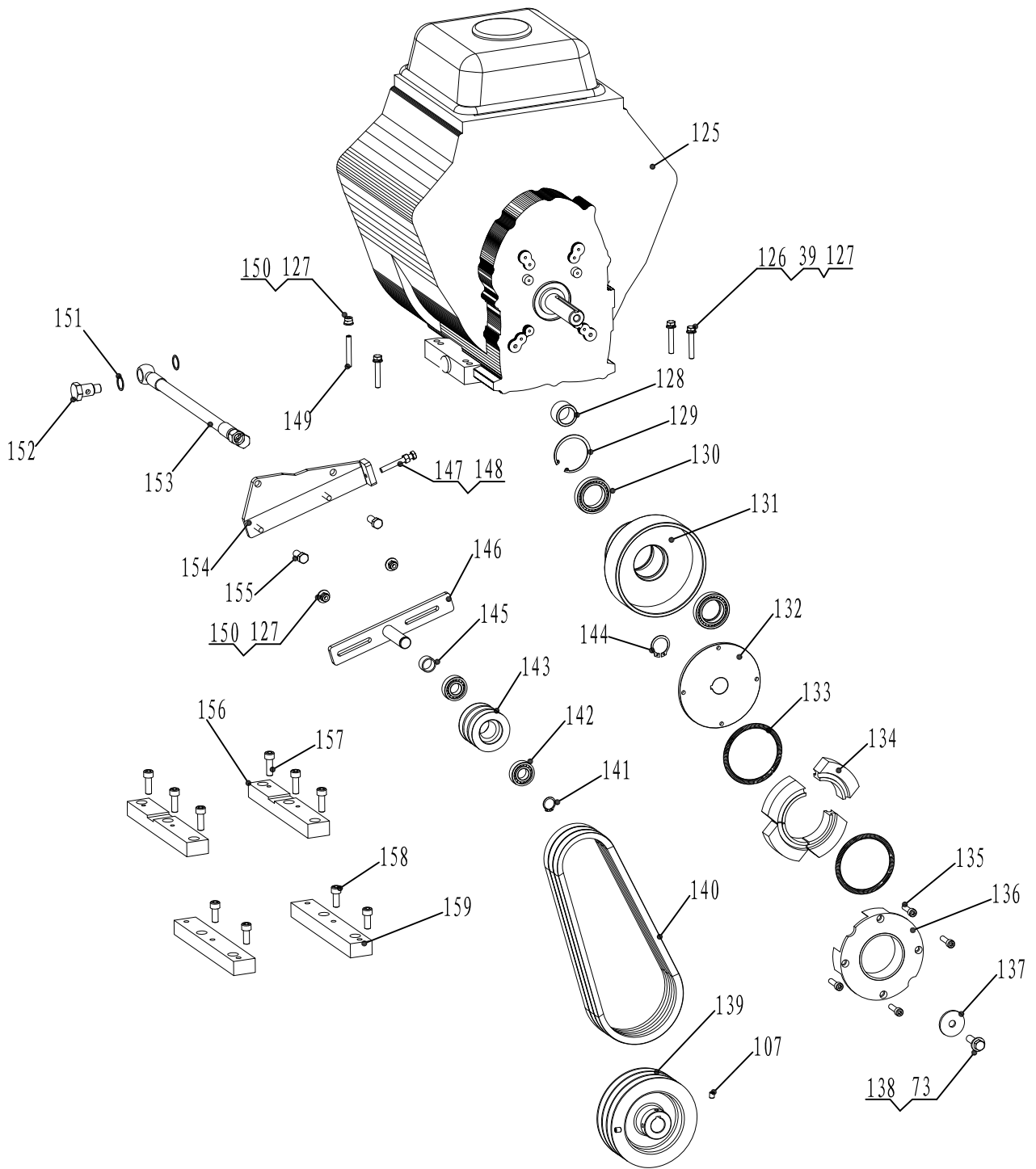
Operation Assy.

Ref.No.	Parts No.	Description	Qty	Price(\$/pc)	Remark
58	101-04-001	water spray buttom	1		
59	RG-04	hand cover	6		
60	LJ1046A-04-011	left control handle	1		
61	GB/T41-2000	hex nut	15		
62	GB/T879.2-2000	spring pin	2		
63	GB/T95-1985	plate washer	2		
64	ZTOM20	copper bushing	2		
65	GB/T9162-2001	bearing	6		
66	LJ1046A-04-001	2 screw head bar	1		
67	LJ1046A-04-002	right control handle	1		
68	LJ1046A-04-003	2 screw head bar	1		
69	LJ1046A-04-009	rotate shaft	1		
70	GB/T889.1-2000	self lock nut	3		
71	GB/T95-1985	plate washer	5		
72	GB/T5782-2000	hex bolt	4		
73	GB/T95-1985	plate washer	25		
74	GB/T7810-1995	bearing base	6		
75	LJ1046A-04-010	bushing	1		
76	GB/T9162-2001	bearing	2		
77	GB/T5782-2000	hex bolt	1		
78	GB/T93-1987	spring washer	2		
79	GB/T5783-2000	M14X50 screw bolt	1		
80	LJ1046A-04-012WT	washer	2		
81	GB/T5783-2000	hex bolt	1		
82	GB/T78-2000	screw	1		
83	LJ1046A-04-008	connect bar	1		
84	GB/T882-2000	lock shaft	6		
85	8360495	U connector	6		
86	GB/T91-2000	lock pin	6		
87	LJ1046A-04-004	2 screw had bar	2		
88	8360501	T plate	2		
89	ZTOM20	copper bushing	2		
90	GB/T119.1-2000	pin	2		
91	8361196	T guide	2		
92	LJ1046A-04-005	2 head screw bolt	2		
93	GB/T5783-2000	hex bolt	6		
94	GB/T889.1-2000	self lock nut	12		
95	LJ1046A-04-006	long connector	1		
96	LJ1046A-04-007	short connector	1		
97	GB/T5783-2000	hex bolt	2		

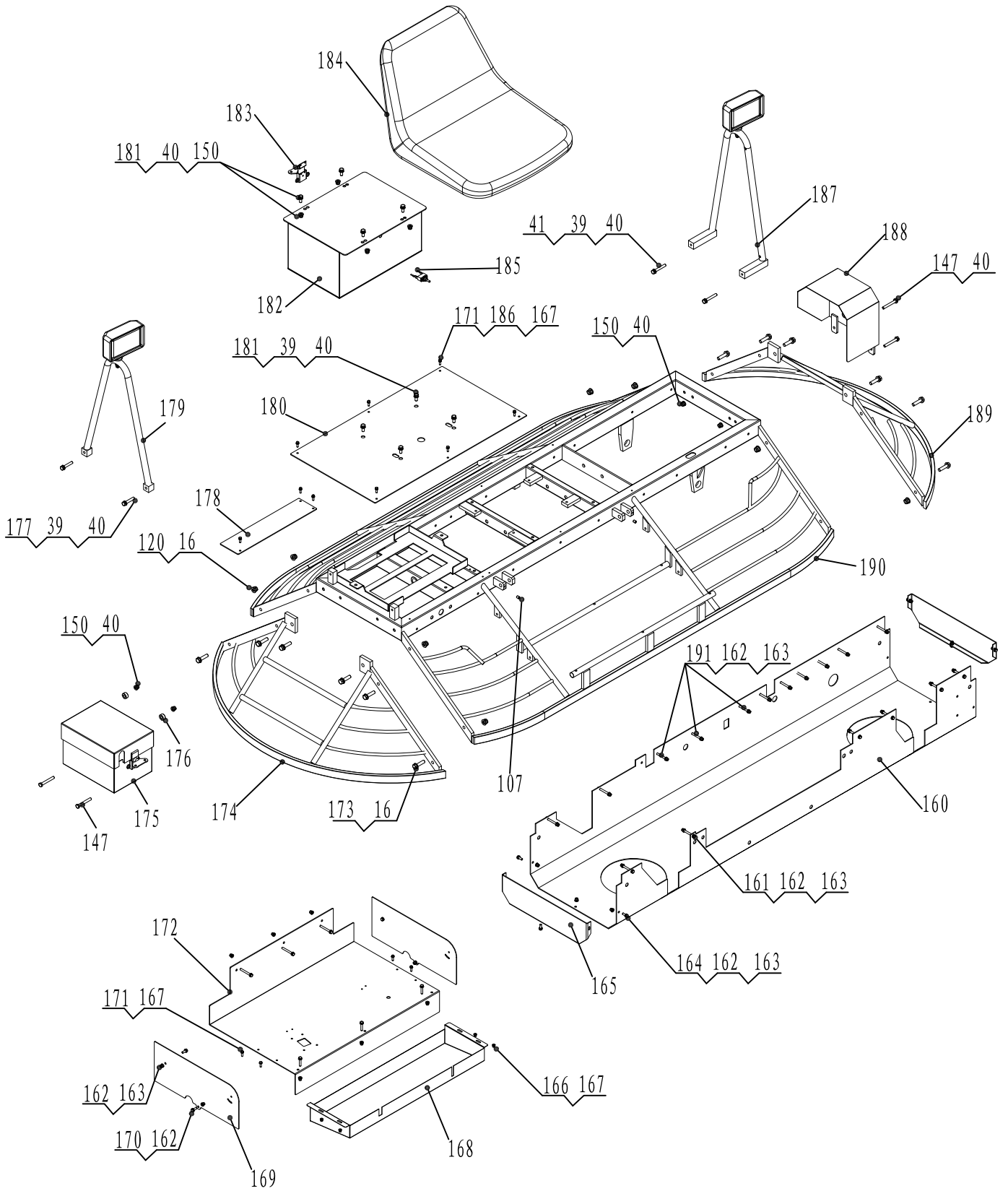


Spider Adjust Assy.

Ref. No.	Parts No.	Description	Qty	Price(\$/pc)	Remark
98	LJ1046A-03-002	right gearbox mouting	1		
99	LJ1046A-03-008	inner hex bolt	1		
100	LJ1046A-03-010	copper bushing	4		
101	GB/T5782-2000	hex blot	1		
102	GB/T95-1985	plate washer	2		
103	LJ1046A-03-001	lift frame	1		
104	GB/T889.1-2000	self lock nut	1		
105	JB/T7270.4-1994	adjust handle	2		
106	8360470A	handle base	2		
107	GB/T77-2000	screw	5		
108	GB/T301-1995	bearing	2		
109	LJ1046A-03-014	al guide	2		
110	GB/T70.1-2000	screw	2		
111	GB7246-1987	wave washer	2		
112	GB/T95-1985	plate washer	2		
113	LJ1046A-03-003	left gearbox mounting	1		
114	LJ1046A-03-012	screw bar	2		
115	GB/T70.1-2000	screw	2		
116	GB/T93-1987	spring washer	2		
117	LJ1046A-03-013	screw guide	2		
118	GB/T879-2000	pin	2		
119	8360973	wire assy	2		
120	GB/T889.1-2000	self lock nut	14		
121	LJ1046A-03-009	gearbox position screw	3		
122	GB1096-1979	keyway	2		
123	LJ1046A-03A	transmission shaft	1		
124	8360489	rubber protector	1		

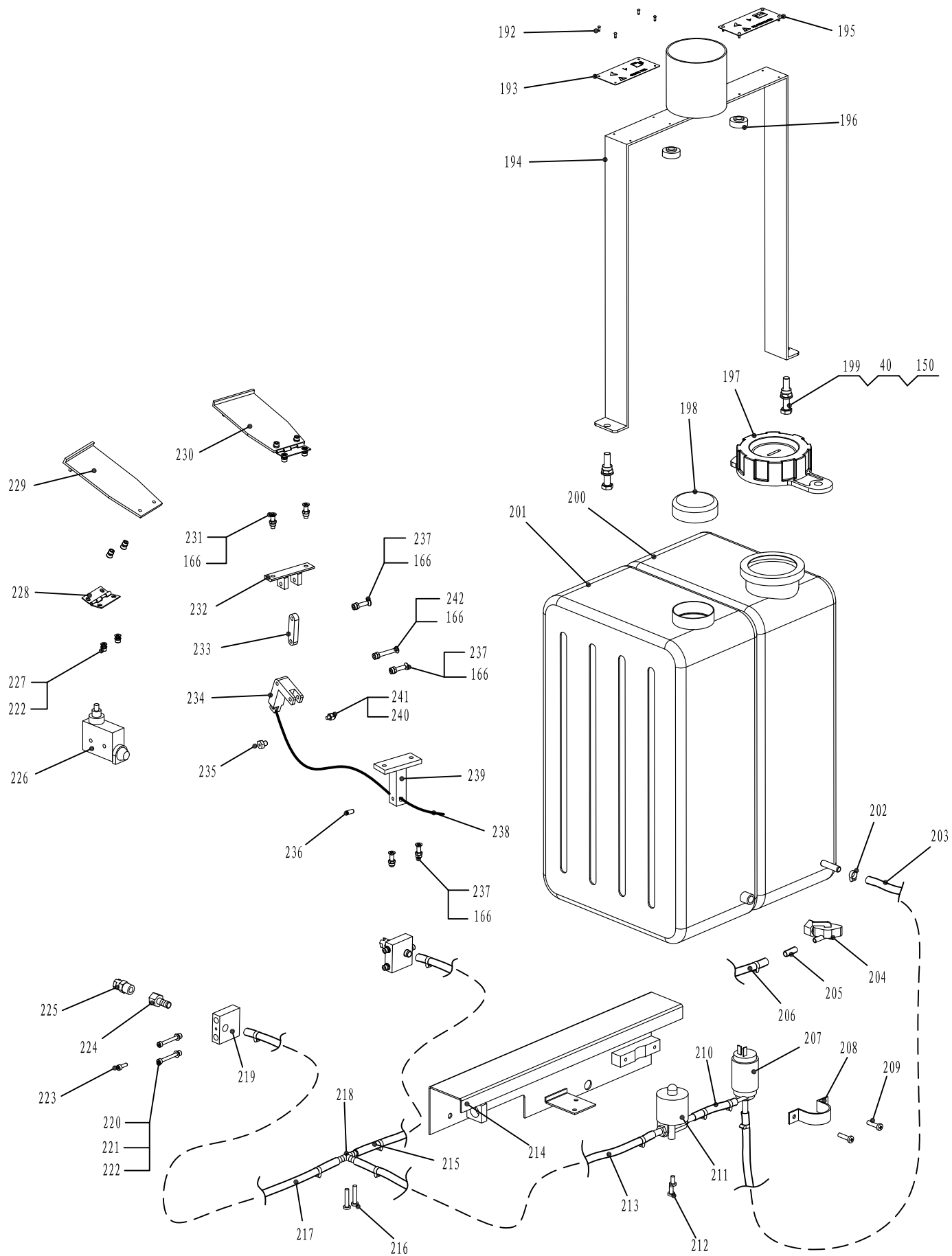


Engine Assy.					
Ref. No.	Parts No.	Description	Qty	Price (\$/pc)	Remark
125	BS35HP	Engine	1		
126	GB/T5783-2000	hex bolt	3		
127	GB/T95-1985	plate washer	6		
128	LJ1046A-06-012	engine shaft guide	1		
129	GB/T893. 1-1986	lock	1		
130	GB/T276-1994	bearing	1		
131	LJ1046A-06-003	clutch shell	1		
132	LJ1046A-06-005	center guide	1		
133	CA-03-06	clucuth spring	2		
134	CA-03-03	clutch fly weight	4		
135	GB/70. 1-2000	screw	4		
136	CA-03-05	fly weight frame	1		
137	GB/T95-1985	plate washer	1		
138	GB/T5783-2000	hex bolt	1		
139	LJ1046A-06-004	pulley	1		
140	GB/T11544-1992	blet	3		
141	GB/T894. 1-1986	lock	1		
142	GB/T276-1994	bearing	2		
143	LJ1046A-06-006	tension wheel	1		
144	GB/T894. 1-1986	lock	1		
145	LJ1046A-06-011	tension wheel bushing	1		
146	LJ1046A-06-007	tesion wheel frame	1		
147	GB/T5783-2000	hex bolt	5		
148	GB/T41-2000	hex nut	1		
149	GB/T77-2000	screw	1		
150	GB/T889. 1-2000	self lock nut	13		
151	8361620	copper washer	3		
152	LJ1046A-06-010	oil drain plug	1		
153	HG/T3041-1991	oil drain pipe	1		
154	8361458	tension wheel base	1		
155	GB/T5783-2000	hex bolt	2		
156	LJ1046A-06-002	second level base plate	each1		
157	GB/T70. 1-2000	bolt	6		
158	GB/T70. 1-2000	bolt	4		
159	LJ1046A-06-001	first level base plate	each1		



Guard Ring Assy.

Ref.No.	Parts No.	Description	Qty	Price(\$/pc)	Remark
160	LJ1046A-07-001	base cover	1		
161	GB/T5783-2000	hex bolt	14		
162	GB/T95-1985	plate washer	54		
163	GB/T889.1-2000	self lock nut	27		
164	GB/T5783-2000	hex bolt	6		
165	LJ1046A-07-007	side cover of base cover	2		
166	GB/T889.1-2000	self lock nut	11		
167	GB/T95-1985	plate washer	17		
168	LJ1046A-07-009	engine stop cover	1		
169	LJ1046A-05-005	side cover	2		
170	GB/T5783-2000	hex bolt	4		
171	GB/T5783-2000	hex bolt	13		
172	LJ1046A-07-004	foot throttle base	1		
173	GB/T5783-2000	hex bolt	12		
174	LJ1046A-05-002	left side guard ring	1		
175	LJ836	battery	1		
176	8360811	battery box bushing	2		
177	GB/T5783-2000	hex bolt	2		
178	LJ1046A-07-003	cover plate II	1		
179	LJ836	right light frame	1		
180	LJ1046A-07-002	cover plate I	1		
181	GB/T5783-2000	hex bolt	8		
182	LJ1046A-07-005	chair base	1		
183	8369534	lock	3		
184	8360453	chair	1		
185	E-TEN1321	light switch	1		
186	GB/T93-1987	spring washer	9		
187	LJ836	left light frame	1		
188	LJ1046A-07-008	belt cover	1		
189	LJ1046A-05-003	right side guard ring	1		
190	LJ1046A-05-001	guard ring	1		
191	GB/T5783-2000	hex bolt	3		



Elec,water, oil Assy.					
Ref.No.	Parts No.	Description	Qty	Price(\$/pc)	Remark
192	GB/T827-1986	copper rivet	8		
193	8369541	gasoline warning plate	1		
194	LJ1046A-05-004	tan frame	1		
195	8369542	water warning plate	1		
196	436F-04-003	rubber plate	2		
197	AP20-009	water tank cap	1		
198	8360199 WT	fuel tank cap	1		
199	GB/T5783-2000	hex bolt	2		
200	LJ1046A-08-002	water tank	1		
201	LJ1046A-08-001	fuel tank	1		
202	Q676	clamp	12		
203	HG/T2184-1991	water pipe I	1		
204	CG125	fuel valve	1		
205	HG/T3041-1991	fuel pipe I	1		
206	HG/T3041-1991	fuel pipe II	1		
207	330955449A	water spray pump	1		
208	8361144	clamp	1		
209	GB/T823-2000	screw	2		
210	HG/T2184-1991	water pipe II	1		
211	CANTON	siwtch	1		
212	GB/T823-2000	screw	2		
213	HG/T2184-1991	water pipe III	1		
214	8360452A20	mounting plate	1		
215	HG/T2184-1991	water pipe IV	1		
216	GB/T823-2000	screw	2		
217	HG/T2184-1991	water pipe V	1		
218	8361452	copper connect	2		
219	8361450	spray base	2		
220	GB/T70. 1-2000	bolt	4		
221	GB/T95-1985	plate washer	4		
222	GB/T889. 1-2000	self lock nut	12		
223	GB/T70. 1-2000	bolt	2		
224	8361451	connect	2		
225	107-04-001	sprayer	2		
226	AZ73010	stop switch	1		
227	GB/T819. 1-2000	screw	8		
228	QB/T3874-1999	connector	2		
229	8361062	stop switch panel	1		
230	8360592	throttlet panel	1		
231	GB/T819. 1-2000	screw	2		
232	8361426	plate bar	1		
233	8361425	connector	1		
234	8361427	rotate plate	1		
235	8361429	screw	1		
236	GB/T77-2000	screw	1		
237	GB/T819. 1-2000	screw	4		
238	107-05-001R	throttle wire	1		
	107-06-001	throttle wire protector	1		
239	8361428	T plate	1		
240	GB/T823-2000	screw	1		
241	GB/T41-2000	hex nut	1		
242	GB/T819. 1-2000	screw	1		