

BOMAX®

BM-1046H PARTS LIST



Shanghai Jiming Machinery Co., Ltd .

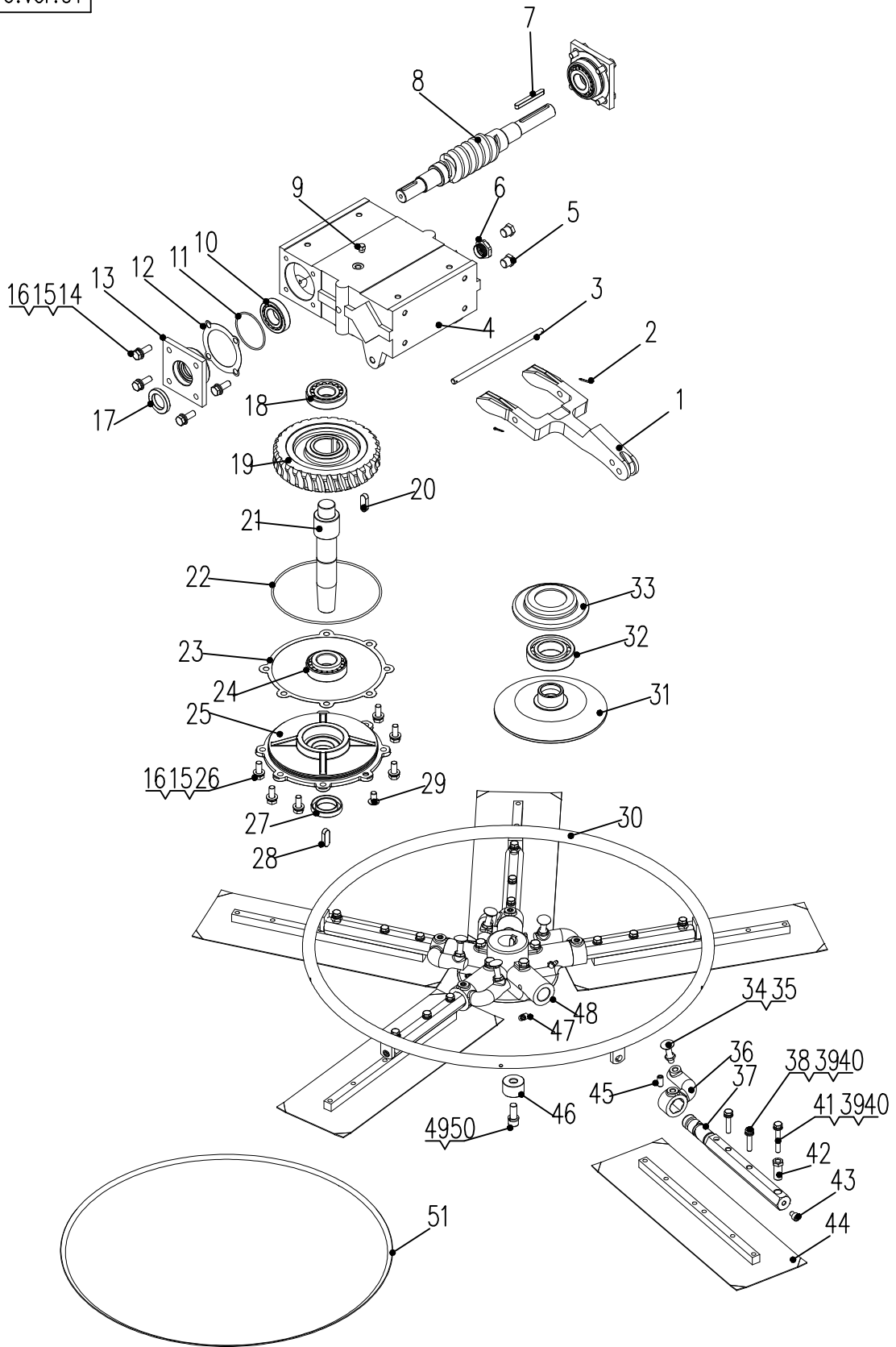
Address: Blvd.4 No.300 Youdong Rd, Shanghai, China, 201199

Tel: 86 21 54882951

Fax: 86 21 54882948

Website: www.shbomax.com

Ver.01 2016

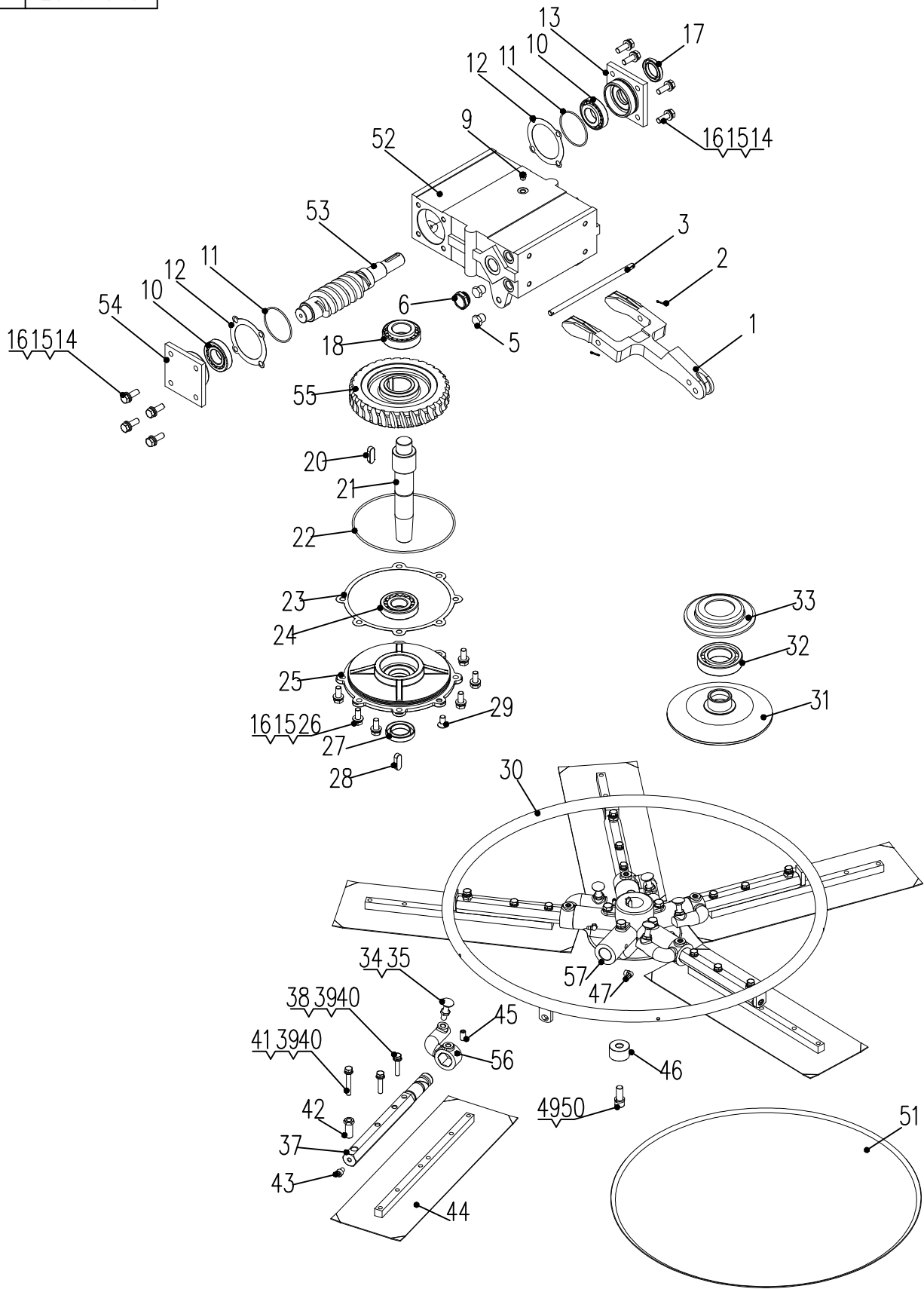


Left Gear-box

BM-1046H

BOMAX

Ref. No.	Part No.	Description	QTY	Remark
1	FP1046B-05-003	yoke arm	2	
2	GB/T91-2000	Φ2.5x16 lock pin	4	
3	LJ1046A-03-007	Φ10 yoke arm shaft	2	
4	LJ1046-02-001	left gear-box shell	1	
5	JPC-80-PE06	oil drum	4	
6	JB/T7941.2-1995	check window	2	
7	GB1096-1979	8X70 keyway	1	
8	LJ1046-02-010	left worn shaft	1	
9	GB/T8159-1987	relaease valve	2	
10	GB/T297-1994	30206 bearing	4	
11	GB/T3452.1-2005	Φ67x2.65 "O" ring	4	
12	LJ1046-02-013	gasket	4	
13	LJ1046-02-005	side cover	3	
14	GB/T5783-2000	M10X40 hex bolt	32	
15	GB/T93-1987	φ10 spring washer	48	
16	GB/T95-1985	φ10 plate washer	56	
17	GB/T9877.1-1988	30X47X7 sealer	3	
18	GB/T297-1994	30306 bearing	2	
19	LJ1046-02-008	left worn gear	1	
20	GB1096-1979	12X35 keyway	2	
21	LJ1046-02-006	worn gear shaft	2	
22	GB/T3452.1-2005	Φ187.5x3.55 "O" ring	2	
23	LJ1046-02-012	geaket	2	
24	GB/T297-1994	32207 bearing	2	
25	LJ1046-02-003	cover	2	
26	GB/T5783-2000	M10X25 hex bolt	12	
27	GB/T9877.1-1988	35X55X10 sealer	2	
28	GB1096-1979	10X45 sealer	2	
29	GB/T70.3-2000	M10X20 inner hex bolt	2	
30	LJ1046A-01-003	keep ring	2	
31	446F-003	press plate	2	
32	GB/T276-1994	6209-2RS bearing	2	
33	446F-004	press plate cover	2	
34	GB/T14-1998	M10X40 bolt	10	
35	GB/T6172.1-2000	M10 thin nut	10	
36	LJ1046A-01-004	angel arm	5	
37	LJ1046A-01-006	balde shaft	10	
38	GB/T5783-2000	M8x40 hex bolt	20	
39	GB/T93-1987	φ8 spring wahser	56	
40	GB/T95-1985	φ8 plate washer	64	
41	GB/T5783-2000	M8X55 hex bolt	10	
42	446F-033	adjust bolt	10	
43	GB/T70.1-2000	M8X10 bolt	10	
44	446F-028	blade assy.	10	
45	GB/T77-2000	M10X20 inner hex bolt	10	
46	LJ1046A-01-007	bushing	2	
47	JB/T7940.2-1995	grease cap	10	
48	LJ1046A-01-002	right spider	1	
49	GB/T70.1-2000	M12X30 bolt	2	
50	GB/T93-1987	φ12 spring washer	2	
51	BR-WH3505 FLAT	46' float pan	4	option

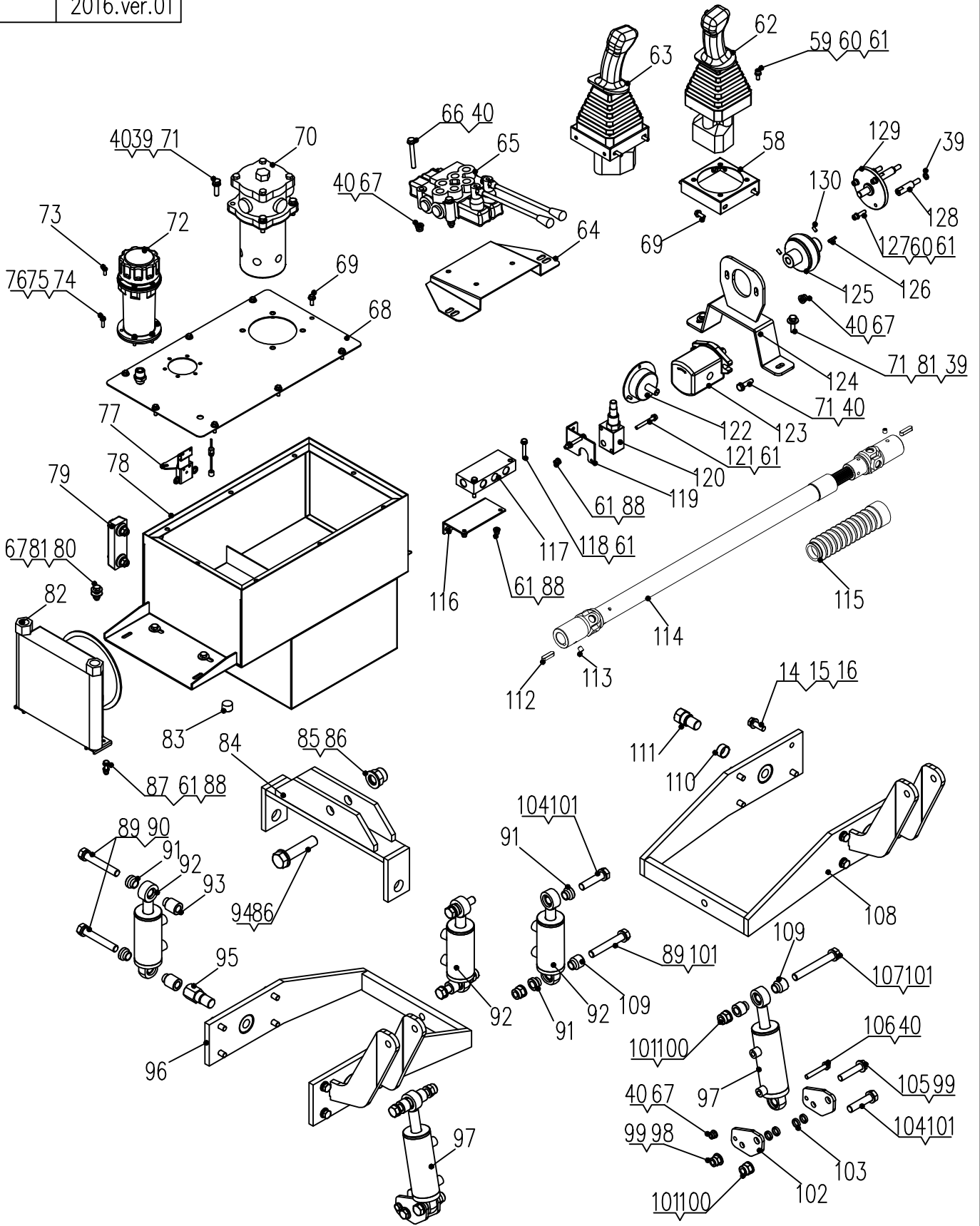


Right Gear-box

BM-1046H

BOMAX

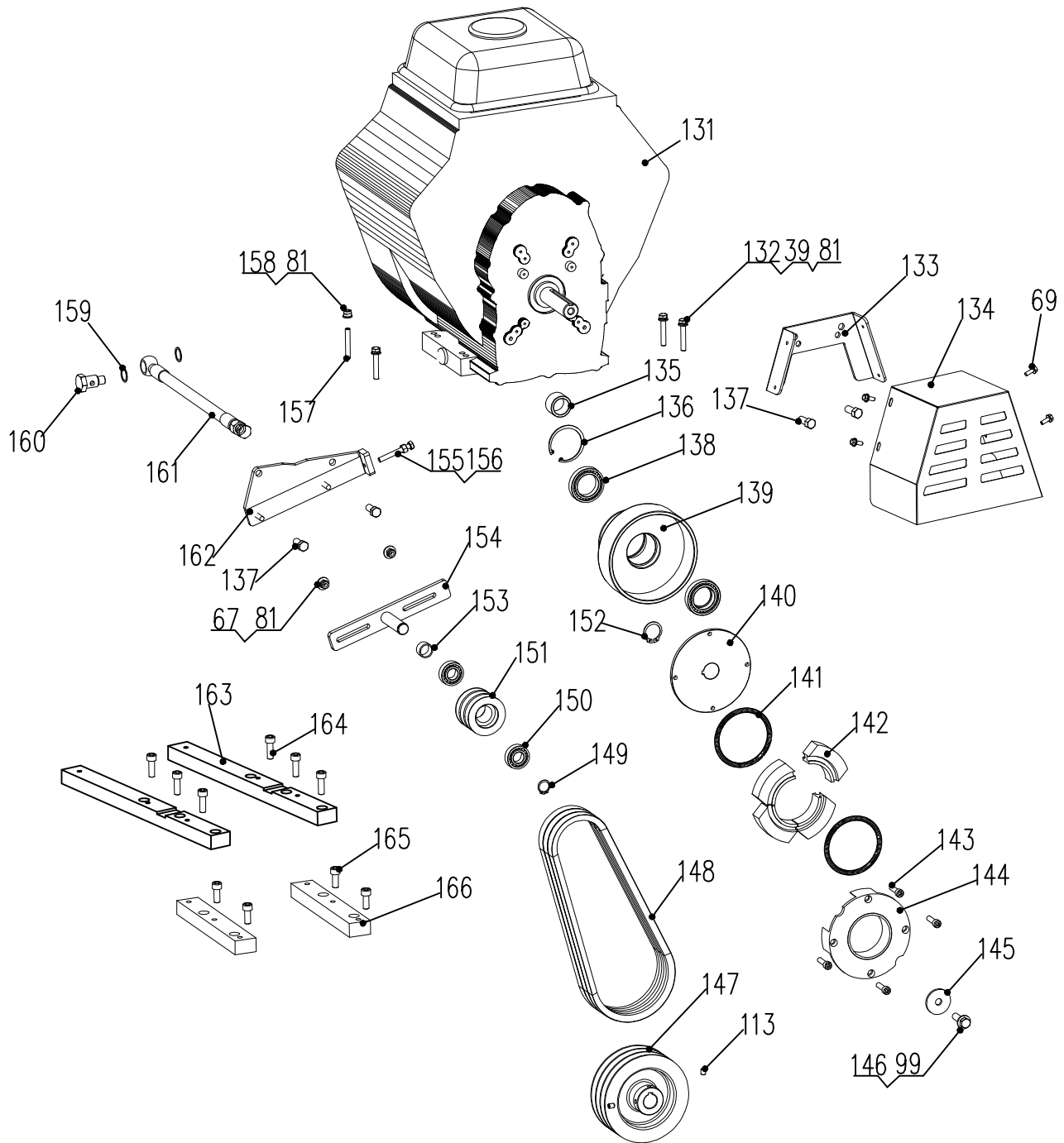
Ref. No.	Part No.	Description	QTY	Remark
52	LJ1046-02-002	right gear-box shell	1	
53	LJ1046-02-011	right worn shaft	1	
54	LJ1046-02-004	side- cover	1	
55	LJ1046-02-009	right worn gear	1	
56	LJ1046A-01-005	right angle arm	5	
57	LJ1046A-01-001	left spider	1	



						Hydraulic System	BM-1046H
							BOMAX

Ref. No.	Part No.	Description	QTY	Remark
58	FP1046B-02-009	control handl base	2	
59	GB/T70.1-2000	M6X16 bolt	8	
60	GB/T93-1987	φ6 spring washer	11	
61	GB/T95-1985	φ6 plate washer	93	
62	1400055	left control handle	1	
63	1400056	right control handle	1	
64	FP1046B-03-004	blade adjust basement	1	
65	07-HC-M45	blade adjust bar	1	
66	GB/T5783-2000	M8X60 hex bolt	3	
67	GB/T889.1-2000	self lock nut	47	
68	FP1046B-03-002	oil cap	1	
69	GB/T5789-1986	M6X16 flank bolt	12	
70	FSF-100	oil filter	1	
71	GB/T5783-2000	M8X30 hex bolt	6	
72	TM478G78	air cleaner	1	
73	GB/T823-2000	M5X12 screw	74	
74	GB/T823-2000	M5X20 screw	6	
75	GB/T93-1987	φ5 spring wahser	80	
76	GB/T95-1985	φ5 plate wahser	88	
77	8369534	locker	1	
78	FP1046B-03-001	hydraulic oil tank	1	
79	LS076 1-T-M10	oil level guage	1	
80	GB/T5783-2000	M8X25 hex bolt	6	
81	GB/T 95-1985	φ8Xφ22X2 plate washer	22	
82	AF0510-DC	12V cooling fan	1	
83	JB1001-77	inner hex drug	1	
84	LJ1046A-03-001	bracket	1	
85	GB/T95-1985	φ20xφ34x3 plate washer	2	
86	GB/T889.1-2000	M20 nut	1	
87	GB/T5783-2000	M6X25 hex bolt	2	
88	GB/T889.1-2000	M6 nut	38	
89	GB/T5782-2000	M14X90-30 hex bolt	4	
90	GB/T93-1987	φ14 spring washer	2	
91	FP1046B-05-004	tap bushing-A	6	
92	FP1046B-03-020	moving cylinder assy	3 set	
93	FP1046B-05-007	tap bushing-C	2	
94	GB/T5782-2000	M20X90-45 hex bolt	1	
95	LJ1046A-03-008	inner hex drug	1	

Ref. No.	Part No.	Description	QTY	Remark
96	FP1046B-05-001	right gear-box basement	1	
97	FP1046B-03-021	up-down cyliner assy	2 set	
98	GB/T889.1-2000	M12 nut	2	
99	GB/T95-1985	φ12 plate washer	5	
100	GB/T889.1-2000	M14 self lock nut	6	
101	GB/T95-1985	φ14 plate washer	14	
102	FP1046B-05-005	rod	4	
103	FP1046B-05-008	cyliner guide	8	
104	GB/T5783-2000	M14X60 hex bolt	4	
105	GB/T5783-2000	M12X60 hex bolt	2	
106	GB/T5783-2000	M8X55 hex bolt	2	
107	GB/T5782-2000	M14X110-30 hex bolt	2	
108	FP1046B-05-002	left gear-box basement	1	
109	FP1046B-05-006	tap bushing-B	6	
110	LJ1046A-03-010	copper bushing222512	4	
111	LJ1046A-03-009	position bolt for gear-box	3	
112	GB1096-1979	8X32 key	2	
113	GB/T77-2000	M8X10 screw	4	
114	LJ1046A-03A	transmission shaft assy.	1	
115	HJ125-A2130C000	rubber protect	1	
116	FP1046B-03-006	support	2	
117	FP1046B-03-005	basement	2	
118	GB/T5783-2000	M6x40 hex bolt	4	
119	FP1046B-03-003	valve bracket	1	
120	V0689	valve bracket	1	
121	GB/T5782-2000	M6X50-25 hex bolt	20	
122	YN60-ZQT	preusre meter	1	
123	P052-3.4	oil pump 3600r/min	1	
124	FP1046B-04-002	pump base	1	
125	UL1-12.7K3-12.7K3	shaft connector	1	
126	GB1096-1979	4X20 keyway	1	
127	GB/T70.1-2000	M6X25 screw	3	
128	FP1046B-04-003	bolt pin	3	
129	FP1046B-04-005	shaft connector	1	
130	GB/T77-2000	M5X10 screw	3	

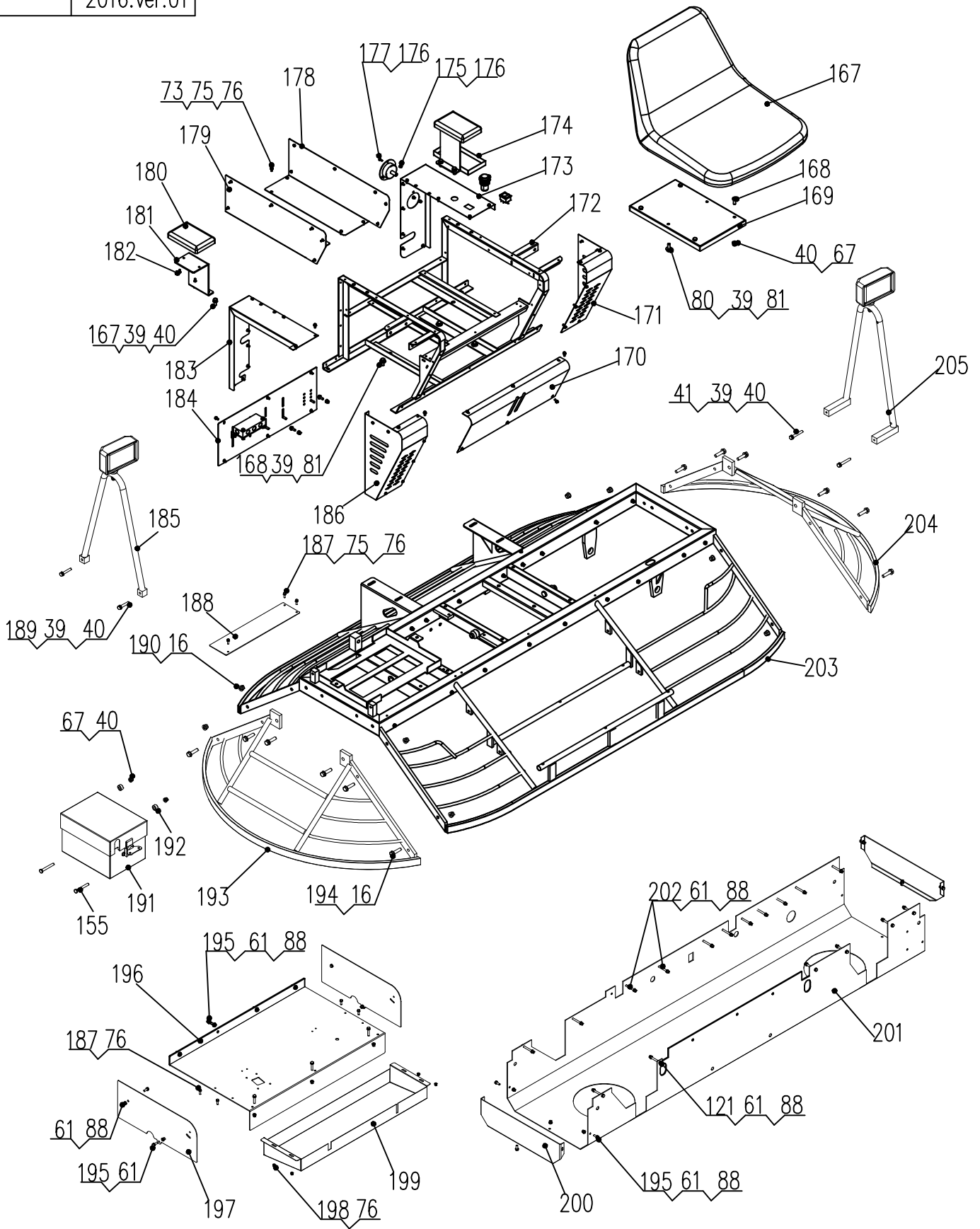


Engine System

BM-1046H

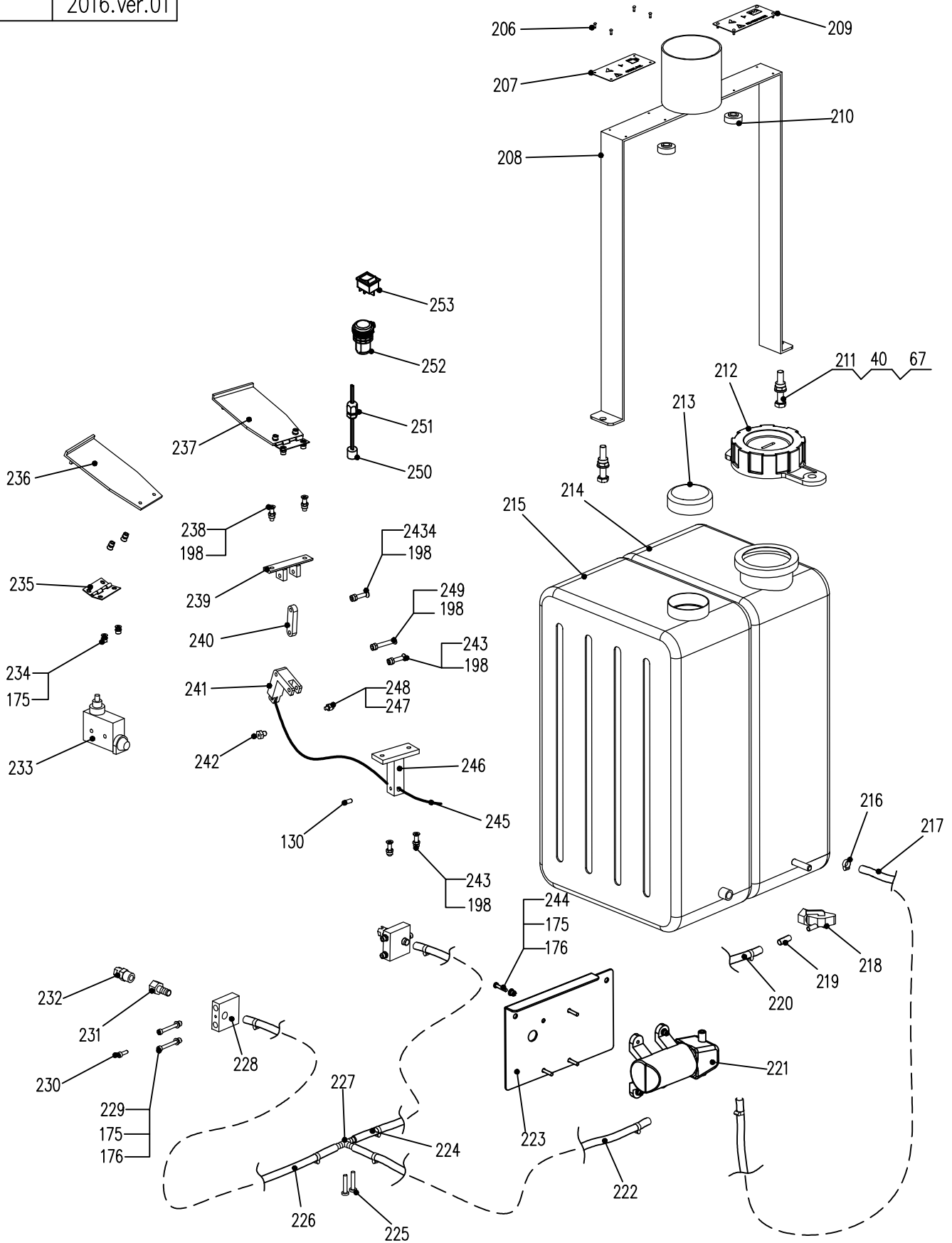
BOMAX

Ref. No.	Part No.	Description	QTY	Remark
131	BS35HP	Briggs & stratton 35Hp engine	1	
132	GB/T5783-2000	M8X50 hex bolt	3	
133	FP1046B-04-006	bracket of belt cover	1	
134	FP1046B-04-007	belt cover	1	
135	LJ1046A-06-012	engine bushing	1	
136	GB/T893.1-1986	φ62 lock	1	
137	GB/T5783-2000	7/16-14X1 " hex bolt	4	
138	GB/T276-1994	61908-2Z bearing	1	
139	LJ1046A-06-003	clutch shell	1	
140	LJ1046A-06-005	central guide	1	
141	CA-03-06	fly weight spring	2	
142	CA-03-03	fly weight	4	
143	GB/70.1-2000	M8X30 screw	4	
144	CA-03-05	hold of fly weight	1	
145	GB/T95-1985	φ21x φ38.5x4 plate washer	1	
146	GB/T5783-2000	7/16-20X1 " hex bolt	1	
147	LJ1046A-06-004	pulley	1	
148	GB/T11544-1992	B900 belt	3	
149	GB/T894.1-1986	φ20 locker	1	
150	GB/T276-1994	6004-2RS bearing	2	
151	LJ1046A-06-006	belt tension wheel	1	
152	GB/T894.1-1986	φ40 locker	1	
153	LJ1046A-06-011	tension wheel bushing	1	
154	LJ1046A-06-007	tesnson wheel bracket	1	
155	GB/T5783-2000	M8X60 hex bolt	5	
156	GB/T41-2000	M8 nut	1	
157	GB/T77-2000	M8X55 screw	1	
158	GB/T889.1-2000	nut	1	
159	8361620	copper washer	3	
160	LJ1046A-06-010	oil drag	1	
161	HG/T3041-1991	oil exhaust assy.	1	
162	8361458	back plate	1	
163	FP1046B-04-001	plate level 2	各1	
164	GB/T70.1-2000	M10X30 bolt	6	
165	GB/T70.1-2000	M10X25 screw	4	
166	LJ1046A-06-001	plate level 1	各1	



						Guard Ring System	BM-1046H
							BOMAX

Ref. No.	Part No.	Description	QTY	Remark
167	8360453	chair	1	
168	GB/T5783-2000	M8X20 hex bolt	8	
169	FP1046B-02-005	plate of chair	1	
170	FP1046B-02-004	front cover	1	
171	FP1046B-02-015	left front cover	1	
172	FP1046B-02-003	chair base support	1	
173	FP1046B-02-010	left rear cover	1	
174	FP1046B-02-013	left hand support	1	
175	GB/T889.1-2000	M4 nut	17	
176	GB/T95-1985	Φ4 plate washer	14	
177	GB/T823-2000	M4X12 screw	3	
178	FP1046B-02-007	left inner plate	1	
179	FP1046B-02-008	right inner plate	1	
180	FP1046B-02-017	hand support	2	
181	FP1046B-02-012	right hand base	1	
182	GB/T 950-1986	M5X12 screw	4	
183	FP1046B-02-011	right rear cover	1	
184	FP1046B-02-014	rear cover	1	
185	LJ836	right light assy	1	
186	FP1046B-02-016	right front cover	1	
187	GB/T5783-2000	M5X16 bolt	10	
188	LJ1046A-07-003	cover plate II	1	
189	GB/T5783-2000	M8X45 hex bolt	2	
190	GB/T889.1-2000	M10 nut	8	
191	LJ836	battery assy	1	
192	8360811	battery box guide	2	
193	LJ1046A-05-003	right isde ring	1	
194	GB/T5783-2000	M10X40 hex bolt	12	
195	GB/T5783-2000	M6X20 hex bolt	14	
196	FP1046B-02-002	foot panel	1	
197	LJ1046A-05-005	protect cover	2	
198	GB/T889.1-2000	M5 nut	19	
199	LJ1046A-07-009	stop switch protect vover	1	
200	LJ1046A-07-007	basemnet side cover	2	
201	FP1046B-02-001	basement	1	
202	GB/T5782-2000	M6X60-25 bolt	2	
203	FP1046B-01-001	main guard ring	1	
204	LJ1046A-05-002	left side ring	1	
205	LJ836	left light assy.	1	



						Fuel & Water System	BM-1046H
							BOMAX

Ref. No.	Part No.	Description	QTY	Remark
206	GB/T827-1986	Φ2x6 rivit	8	
207	8369541	warning plate for oil	1	
208	LJ1046A-05-004	tank clamp	1	
209	8369542	warning plate for water	1	
210	436F-04-003	rubber plate	2	
211	GB/T5783-2000	M8X35 hex bolt	2	
212	AP20-009	water tank cap	1	
213	8360199 WT	fuel tank cap	1	
214	LJ1046A-08-002	water tank	1	
215	LJ1046A-08-001	fuel tank	1	
216	Q676	stainless clamp	12	
217	HG/T2184-1991	water pipe	1	
218	CG125	oil valve	1	
219	HG/T3041-1991	fuel pipe I	1	
220	HG/T3041-1991	fuel pipe II	1	
221	DP-521	water pump	1	
222	HG/T2184-1991	water pipe III	1	
223	FP1046B-02-006	plate for water pump	1	
224	HG/T2184-1991	water pipe IV	1	
225	GB/T823-2000	M5X25 screw	2	
226	HG/T2184-1991	water pipe V	1	
227	8361452	copper connector	2	
228	8361450	water spray base	2	
229	GB/T70.1-2000	M4X35 screw	4	
230	GB/T70.1-2000	M4X12 screw	2	
231	8361451	spray copper connect	2	
232	107-04-001	water sprayer	2	
233	AZ73010	stop switch	1	
234	GB/T819.1-2000	M4X10 screw	8	
235	QB/T3874-1999	tsainless hinger	2	
236	8361062	stop panle weld parts	1	
237	8360592	foot throttle weld parts	1	
238	GB/T819.1-2000	M5X20 screw	2	
239	8361426	T palte	1	
240	8361425	move rod	1	
241	8361427	rod wleding parts	1	
242	8361429	copper screw	1	
243	GB/T819.1-2000	M5X25 screw	5	
244	GB/T823-2000	M4X20 screw	4	
245	107-05-001R	throttle wire	1	
	107-06-001	throttle wire protect	1	
246	8361428	T palte	1	
247	GB/T823-2000	M4X10 screw	1	
248	GB/T41-2000	M4 nut	1	
249	GB/T819.1-2000	M5X35 screw	1	
250	KSD301	tempeture siwtch	1	
251	EG-07K5	elc wire protect	1	
252		USB plug	1 set	
253	KCD2-101N	siwtch	1	