

BO MAX

BM-836H PARTS LIST



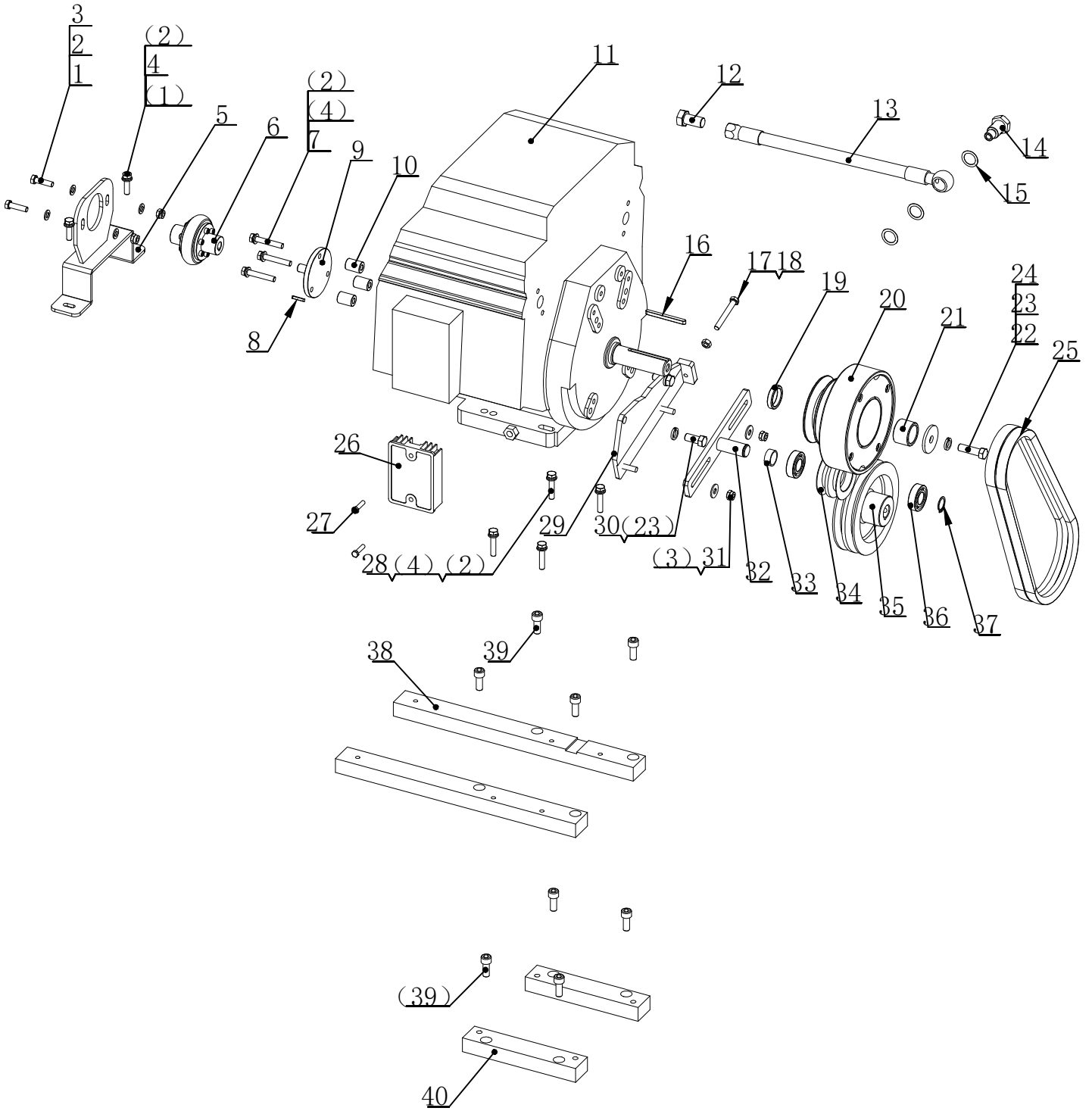
SHANGHAI BOAMX ENGINEERING INC.

Address: Blvd.4 No.300 Youdong Rd, Shanghai, China, 201100

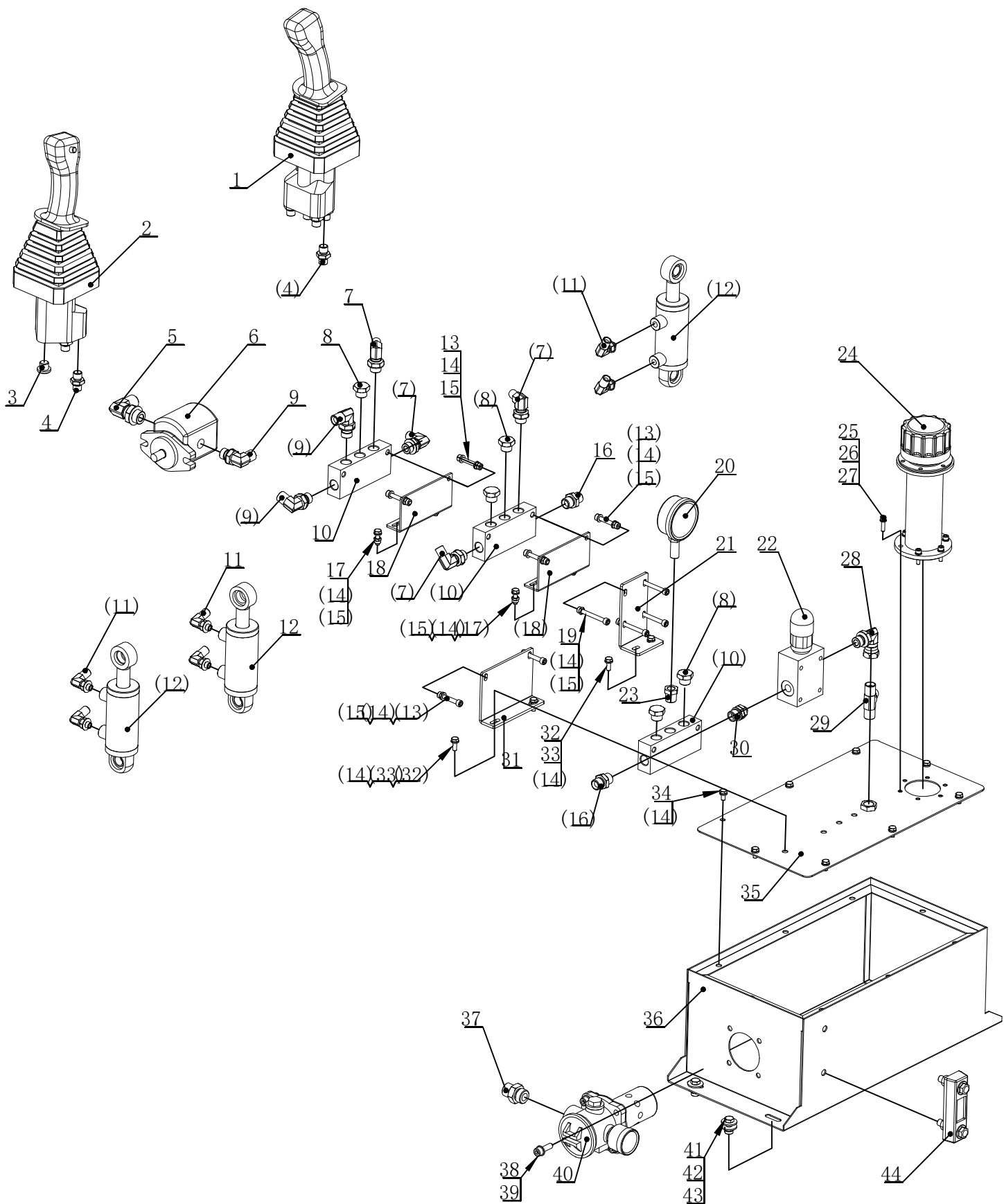
Tel: 08 21 54882951 Fax: 86 21 54882948

Website: www.shbomax.com

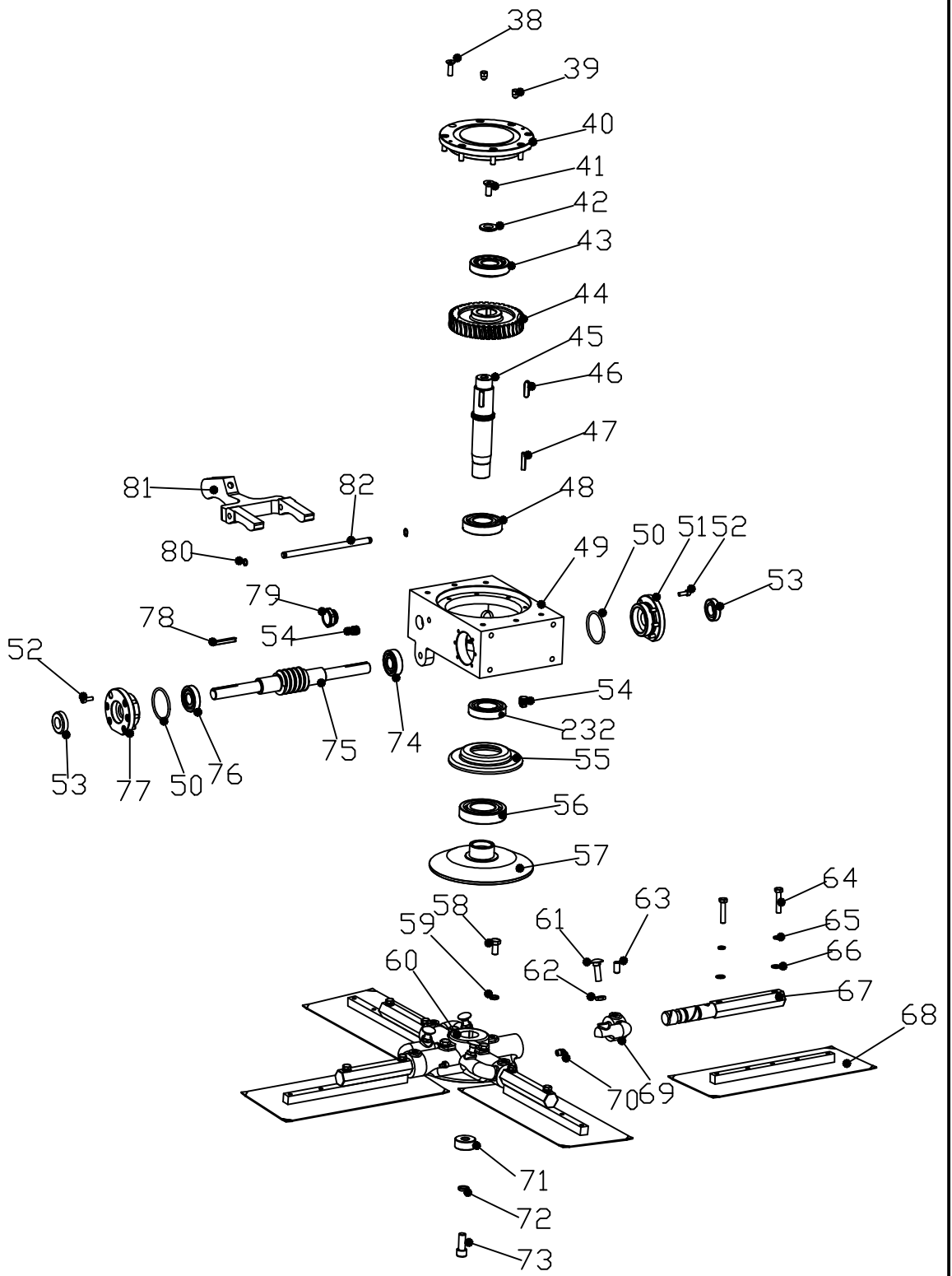
Ver.01 2017



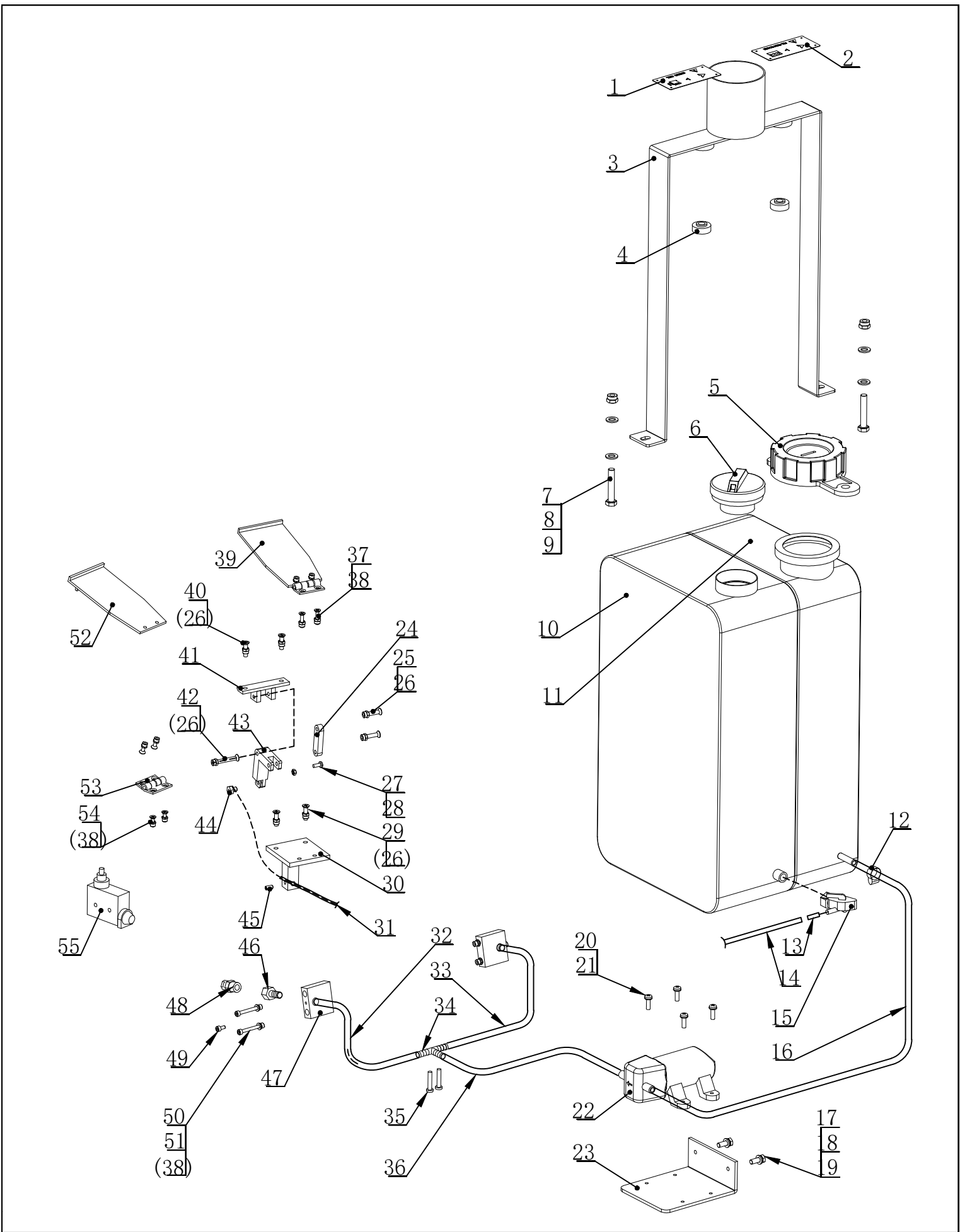
Ref. No.	Parts No.	Description	QTY	Remark
1	GB/T5783-2000	M8X30 hex bolt	4	
2	GB/T 95-1985	φ8 plate washer	13	
3	GB/T 889.1-2000	M8 nut	5	
4	GB/T 93-1987	φ8 spring washer	9	
5	FP836D-02-002	gear pump base	1	
6	UL1 12.7K3/12.7K4	shaft connect	1	
7	GB/T5783-2000	M8X50 hex bolt	3	
8	GB1096-79	4X22 keyway	1	
9	FP836D-02-004	flank shaft	1	
10	FP836D-02-003	screw pipe guide	3	
11		engine	1	
12	8361610 WT	plug	1	
13	HG/T3041-1991	oil exhaust pipe	1	
14	8361611	oil exhaust bolt	1	
15	8361620	copper wahser	3	
16		6.3X22 keyway	1	
17	GB/T5783-2000	M8x60 hex bolt	1	
18	GB/T 6170-2000	M8 nut	1	
19	LJ836B-04-004	cluch bushing	1	
20	CA-03E(LJ836B)	clucth assy.	1	
21	8360061	clutch position guide	1	
22		0.4375-20×1.5 hex bolt	1	
23	GB/T 93-1987	φ12 spring wahser	3	
24		φ12×φ45×4 plate washer	1	
25	GB/T 11544-1992	belt	2	
26		coventer	1	
27	GB/T5789-1986	M6X20 bolt	2	
28	GB/T5783-2000	M8x40 hex bolt	4	
29	8361458	tension wheel mounting plate	1	
30		0.4375-14×1 hex bolt	2	
31		φ8×φ22×2 plate washer	2	
32	LJ836B-04-006	tension wheel bracket	1	
33	LJ836B-04-008	tension wheel guide	1	
34	8361461	tension whell pulley	1	
35	8360314	pulley	1	
36	GB/T276-1994	6004 bearing	2	
37	GB/T894.1-1986	φ20shaft bushing	1	
38	FP836D-02-001	plate	leach	
39	GB/T 70.1-2000	M10x35 inner hex screw	8	
40	LJ836B-04-001	base plate	2	



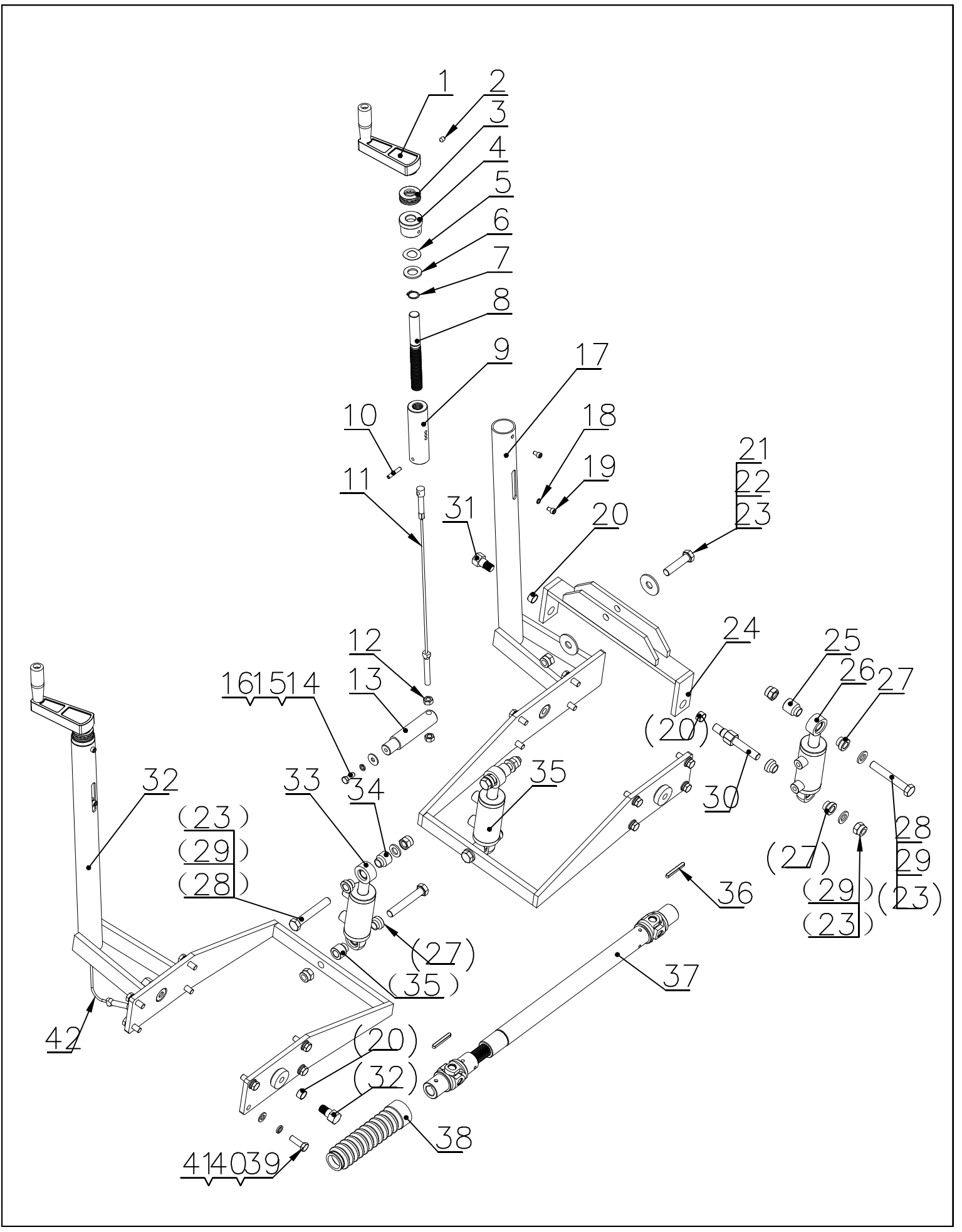
Ref. no.	Parts No.	Description	QTY	Remark
1	ZHSA01200-000	joystick(right)	1	
2	ZHSA01200-000	joystick(left)	1	
3		G1/4 bolt	2	
4	1B-04	connector	10	
5	1BG9-080G	90° connector	1	
6	1ZGPA0S2.1C0L0	gear pump	1	
7	1BG9-04-060G	90° connector	4	
8		G3/8 bolt	5	
9	1BG9-060G	90° connector	3	
10	FP1046B-03-005	basement	2	
11		90° connector	6	
12		40x20-20 cylinder	3	
13	GB/T 70.1-2000	M6x40 inner hex bolt	6	
14	GB/T 95-1985	φ6 plate washer	21	
15	GB/T 889.1-2000	M6 self lock nut	14	
16	1B-06	G3/8 connector	2	
17	GB/T5783-2000	M6x20 hex bolt	4	
18	FP1049B-03-0069	bracket	2	
19	GB/T 70.1-2000	M6x55 inner hex screw	4	
20		pressure meter	1	
21	FP836D-03-003	mounting plate	1	
22	DBD6G	valve	1	
23		G1/4-G3/8 screw pipe	1	
24	PAF2-0.035-0.045-10.F	air cleaner	1	
25	GB/T 70.1-2000	M5x20 inner hex bolt	6	
26	GB/T 93-1987	φ5 spring washer	6	
27	GB/T 95-1985	φ5 plate washer	6	
28	2B9-04-06	G1/4-G3/8 flex connector	1	
29	AB-06	G3/8 tri connector	1	
30		G1/4-G3/8 straight connector	1	
31	FP836D-03-006	bracket	2	
32	GB/T5783-2000	M6x16 hex bolt	4	
33	GB/T 93-1987	φ6 spring washer	4	
34	GB/T5783-2000	M6x12 hex bolt	8	
35	FP836D-03-002	oil tank cover	1	
36	FP836D-03-001	oil tank	1	
37		G1/2-M22x1.5 connector	1	
38	GB/T 70.1-2000	M8x25 inner hex bolt	4	
39	GB/T 95-1985	φ8 plate washer	4	
40	TF-25X100LY	oil filter	1	
41	GB/T5783-2000	M8x20 hex bolt	4	
42	GB/T 96-1985	φ8 big washer	8	
43	GB/T 889.1-2000	M8 nut	4	
44	YWZ-76T	oil level window	1	



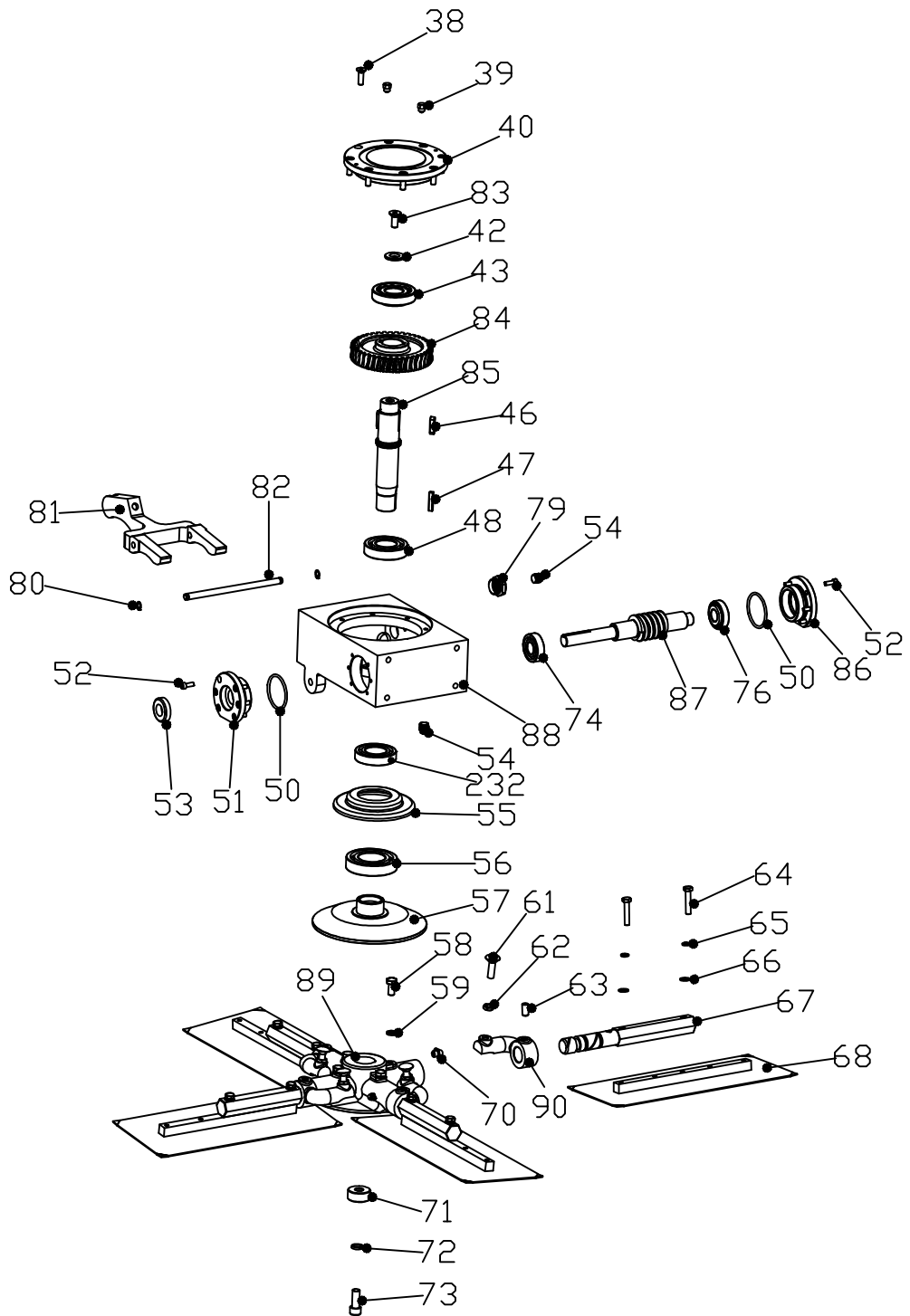
left gear-box assy.				
Ref. No.	Parts No.	Description	QTY	Remark
38	GB/T70. 1-2000	M8x20 bolt	16	
39	GB/T8159-1987	release valve	4	
40	8364005	side cover	2	
41	GB/T70. 3-2000	M10X25-LH bolt	1	
42	436F-02-011	worn shaft washer	2	
43	GB/T297-1994	30306 bearing	2	
44	LJ1046-02-008	worn gear(left)	1	
45	LJ1046-02-006	worn gear shaft(left)	1	
46	GB1096-1979	8X30 key	4	
47	GB1096-1979	6. 35X32 key	2	
48	GB/T276-1994	6207 bearing	2	
49	LJ1046-02-001	shell	1	
50	GB/T3452. 1-2005	Φ53x3. 55 o ring	4	
51	446F-012	side cover	2	
52	GB/T70. 1-2000	M6x16 bolt	24	
53	GB/T9877. 1-1988	20X40X10 sealer	3	
54	436A-03-008	oil plug	4	
55	446F-004	cap of press plate	2	
56	GB/T276-1994	6209 bearing	2	
57	446F-003	press palte	2	
58	GB/T5783-2000	M10x20 bolt	8	
59	GB/T93-1987	φ 10 spring washer	24	
60	LJ836B-03-001、	spider	1	
61	GB/T14-1998	M10x35 bolt	8	
62	GB/T6172. 1-2000	M10 thin nut	8	
63	GB/T77-2000	M10x20 bolt	8	
64	GB/T5783-2000	M8x40 hex bolt	20	
65	GB/T93-1987	φ 8 spring washer	30	
66	GB/T95-1985	φ 8 plate washer	46	
67	LJ836B-03-004	blade arm	8	
68	436F-02-014	blade	2set	
69	8366006R	angle arm	4	
70	JB/T7940. 2-1995	grease cap	8	
71	446F-016	spider tighten bushing	2	
72	GB/T93-1987	φ 12 spring washer	5	
73	GB/T70. 1-2000	M12x30 bolt	2	
74	GB/T276-1994	6204 bearing	2	
75	LJ836B-02-002	worn shaft(left)	1	
76	GB/T297-1994	30204 bearing	2	
77	8364014	ZL107 bearing base	1	
78	GB1096-1979	6x50 key	3	
79	JB/T7941. 2-1995	check windows	2	
80	GB/T894. 2-1986	shaft lock	4	
81	446F-026	φ 10 yoke arm	2	
82	446F-008	yoke arm shaft	2	



Ref. no.	Parts no.	Description	QTY	Remark
1	8369541	warning plate gasoline	1	
2	8369542	warning plate water	1	
3	FP836D-02-010	tanl clamp	1	
4	436F-04-003	vibration absorb	4	
5	AP20-009	water tank cap	1	
6	8360199 WT	fuel tank cap	1	
7	GB/T5783-2000	M8x45 hex bolt	2	
8	GB/T 95-1985	φ8 plate washer	4	
9	GB/T 889.1-2000	M8 self lock nut	2	
10	FP836D-07-002	fuel tank	1	
11	FP836D-07-001	water tank	1	
12	676	8-12 stanless steel clamp	8	
13	HG/T3041-1991	φ5×20mm fuel pipe I	1	
14	HG/T3041-1991	φ8×1200mm fule pipe II	1	
15	CG125	CG125 fuel valve	1	
16	HG/T2184-1991	φ8 water pipe I	1	
17	GB/T5783-2000	M6x16 hex bolt	2	
18	GB/T 93-1987	φ6 spring washer	2	
19	GB/T 95-1985	φ6 plate washer	2	
20	GB/T818-2000	M5x16 screw	4	
21	GB/T 95-1985	φ5 plate washer	4	
22	DP-521	water pump	1	
23	FP836D-03-007	water pump mounting	1	
24	8361425	moving connector	1	
25	GB/T 819.1-2000	M5x25 screw	2	
26	GB/T 889.1-2000	M5 nut	7	
27	GB/T818-2000	M4x10 screw	1	
28	GB/T 6170-2000	M4 nut	1	
29	GB/T 819.1-2000	M5x20 screw	2	
30	8361428	trrottle fix mount	1	
31	107-05-001R	φ1.8 throttle wire	1	
	107-06-001	φ2.5×φ4.6 throttle guide	1	
32	HG/T2184-1991	φ8 water pipe II	1	
33	HG/T2184-1991	φ8 water pipe III	1	
34	8361452	copper connector	1	
35	GB/T818-2000	M5x25 screw	2	
36	HG/T2184-1991	φ8 water pipe IV	1	
37	GB/T 819.1-2000	M4x20 screw	2	
38	GB/T 889.1-2000	M4 nut	12	
39	8360592	throttle panel	1	
40	GB/T 819.1-2000	M5x20 screw	2	
41	8361426	bracket	1	
42	GB/T 819.1-2000	M5x35 screw	1	
43	8361427	connector	1	
44	8361429	copper cscrew of throttle	1	
45	GB/T 77-2000	M5x10 inner hex screw	1	
46	8361451	copper connector	2	
47	8361450	spray base	2	
48	107-04-001	water spray	2	
49	GB/T 70.1-2000	M4x12 screw	2	
50	GB/T 70.1-2000	M4x35 screw	4	
51	GB/T 95-1985	φ4 plate washer	4	
52	8361062	stop panel	1	
53	QB/T3874-1999	hinge	2	
54	GB/T 819.1-2000	M4x14 screw	6	
55	AZ73010	stop switch(10A 25V)	1	

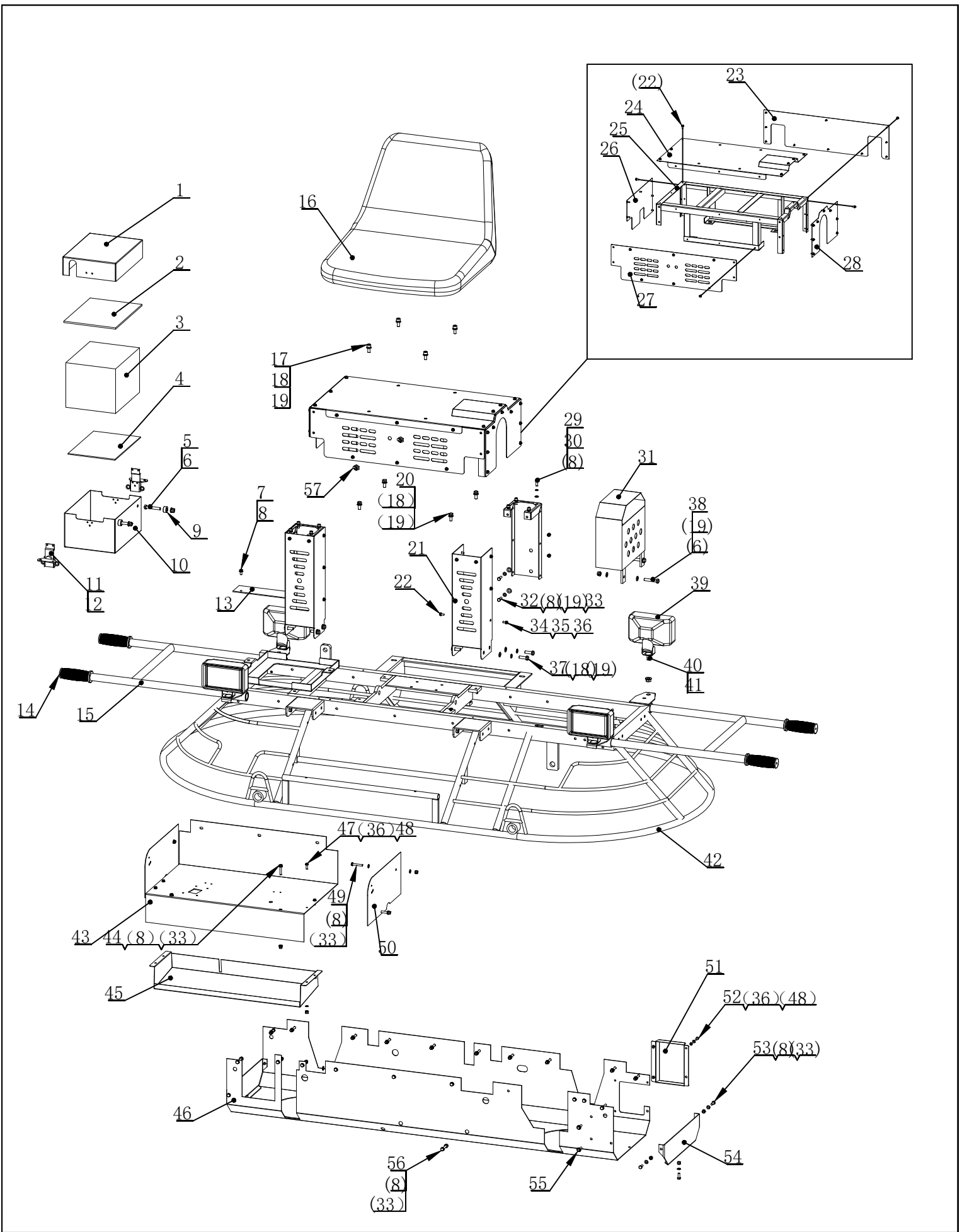


Ref. no.	Parts no.	Description	QTY	Remark
1		Rotate bar	2	
2	GB/T 78-2000	M10 screw	2	
3	GB/T301-1995	51204 bearing	2	
4	424-01-008	al guide	2	
5	GB7246-1987	wave washer ϕ 19	2	
6	GB/T 95-1985	ϕ 19x34x3 plate washer	2	
7	GB/T894.1-1986	ϕ 19 bushing	2	
8	8365503	screw guide	2	
9	446F-001	screw bushing	2	
10	GB/T 879-2000	ϕ 6 \times 35 pin	2	
11	8360973B	wire assy 420mm (left)	1	
12	GB/T 6170-2000	M10 hex bolt	4	
13	FP836D-03-005	shaft	1	
14	GB/T5783-2000	M8x20 hex bolt	1	
15	GB/T 93-1987	ϕ 8 spring washer	1	
16	GB/T 96-1985	ϕ 8 big washer	1	
17	FP836D-01-003	right gearbox mount	1	
18	GB/T 93-1987	ϕ 6 spring washer	1	
19	GB/T 70.1-2000	M6x10 screw	2	
20	ZTOM20	16 \times 18 \times 10 copper bushing	4	
21	GB/T5783-2000	M14x60 hex bolt	1	
22	GB/T 96-1985	ϕ 14 big washer	2	
23	GB/T 889.1-2000	M14 nut	1	
24	LJ836B-01-004	lift bracket	1	
25	FP836D-05-007	tap bushingC	1	
26		40 \times 20 \times 40 cylinder	1	
27	FP1046B-05-004	tap bushingA	7	
28	GB/T5783-2000	M14x90 hex bolt	3	
29	GB/T 95-1985	ϕ 14 plate washer	3	
30	FP836D-02-007	two head bolt	1	
31	8360485	gearbox position bolt	3	
32	LJ836B-01-002	left gearbox mount	1	
33		left move cylinder	1	
34	FP1046B-05-006	tap bushing C	2	
35		right move cylinder	1	
36	GB1096-79	6x50 key	2	
37	8360488	transmission shaft	1	
38	HJ125-A2130C000	rubber cover	1	
39	GB/T5783-2000	M10x30 hex bolt	8	
40	GB/T 93-1987	ϕ 10 spring washer	8	
41	GB/T 95-1985	ϕ 10 plate washer	8	
42	8360973	wire assy 520mm(right)	1	



Right gear-box assy.

Ref. No.	Parts No.	Description	QTY	Remark
84	LJ1046-02-009	worn gear(right)	1	
85	LJ1046-02-007	worn gear shaft(right)	1	
86	LJ1046-02-004	side cover	1	
87	LJ836B-02-003	worn shaft(right)	1	
88	LJ1046-02-002	shell(right)	1	
89	LJ836B-03-002	spider	1	
90	LJ1046A--1-005	angle arm	4	



Ref. no.	Parts no.	Description	QTY	Remark
1	8360463	battery box cover	1	
2	8369535A	188×253×5 rubber isolate	1	
3	MF55519	battery	1	
4	8369535	170×244×3 rubber isolate	1	
5	GB/T5783-2000	M8x50 hex bolt	2	
6	GB/T 889.1-2000	M8 nut	4	
7	GB/T5783-2000	M6x12 hex bolt	2	
8	GB/T 95-1985	Φ6 plate washer	50	
9	8360811	Φ20 δ4 guide	2	
10	8360464	battery box	1	
11	8369534	locker	3	
12	GB/T12618-1990	Φ4×10 rivit	10	
13	FP836D-01-020	dusct plate	1	
14	RC-04	bar cover	4	
15	8360451	carry bar	2	
16	8360453	chair	1	
17	GB/T 70.1-2000	M8x20 hex bolt	4	
18	GB/T 93-1987	Φ8 spring washer	8	
19	GB/T 95-1985	Φ8 plate washer	28	
20	GB/T5783-2000	M8x20 hex bolt	4	
21	FP836D-02-008	square cover	2	
22		M5x12 screw	41	
23	FP836D-02-005-03	rear cover of chair base	1	
24	FP836D-02-005-05	top cover of chair base	1	
25	FP836D-02-005	chair base	1	
26	FP836D-02-005-04	right cover of chair base	1	
27	FP836D-02-005-01	front cover of chair base	1	
28	FP836D-02-005-02	left cover of chair base	1	
29	GB/T 70.1-2000	M6x16 bolt	8	
30	GB/T 93-1987	Φ6 spring washer	8	
31	8360459	bley cover	1	
32	GB/T5783-2000	M6x20 bolt	4	
33	GB/T 889.1-2000	M6 nut	36	
34	GB/T5783-2000	M5x12 hex bolt	3	
35	GB/T 93-1987	Φ5 spring washer	3	
36	GB/T 95-1985	Φ5 plate washer	14	
37	GB/T5783-2000	M8x25 hex bolt	8	
38	GB/T5783-2000	M8x45 hex bolt	2	
39		Led light	4	
40	GB/T12-1988	M10x20 bolt	4	
41	B/T 6177.1-2000	M10 nut	4	
42	FP836D-01-001	guard ring	1	
43	FP836D-02-007	foot palte	1	
44	GB/T5783-2000	M6x30 hex bolt	2	
45	8361437	stop scitwch protect	1	
46	FP836D-01-005	base cover	1	
47	GB/T5783-2000	M5x16 hex bolt	4	
48	GB/T 889.1-2000	M5 nut	7	
49	GB/T5783-2000	M6x35 hex bolt	4	
50	FP836D-02-006	side cover	2	
51	FP836D-01-006	small cover	1	
52		M512 screw	3	
53	GB/T5783-2000	M6x16 hex bolt	6	
54	8360538A	side cover of base cover	2	
55	GB/T5789-1986	M6x20 hex bolt	2	
56	GB/T5783-2000	M6x36 hex bolt	20	
57		light switch	2	