

BOMAX

BM436-B PARTS LIST



SHANGHAI BOAMX ENGINEERING INC.

Address: Blvd.4 No.300 Youdong Rd, Shanghai, China, 201100

Tel: 86 21 54882951

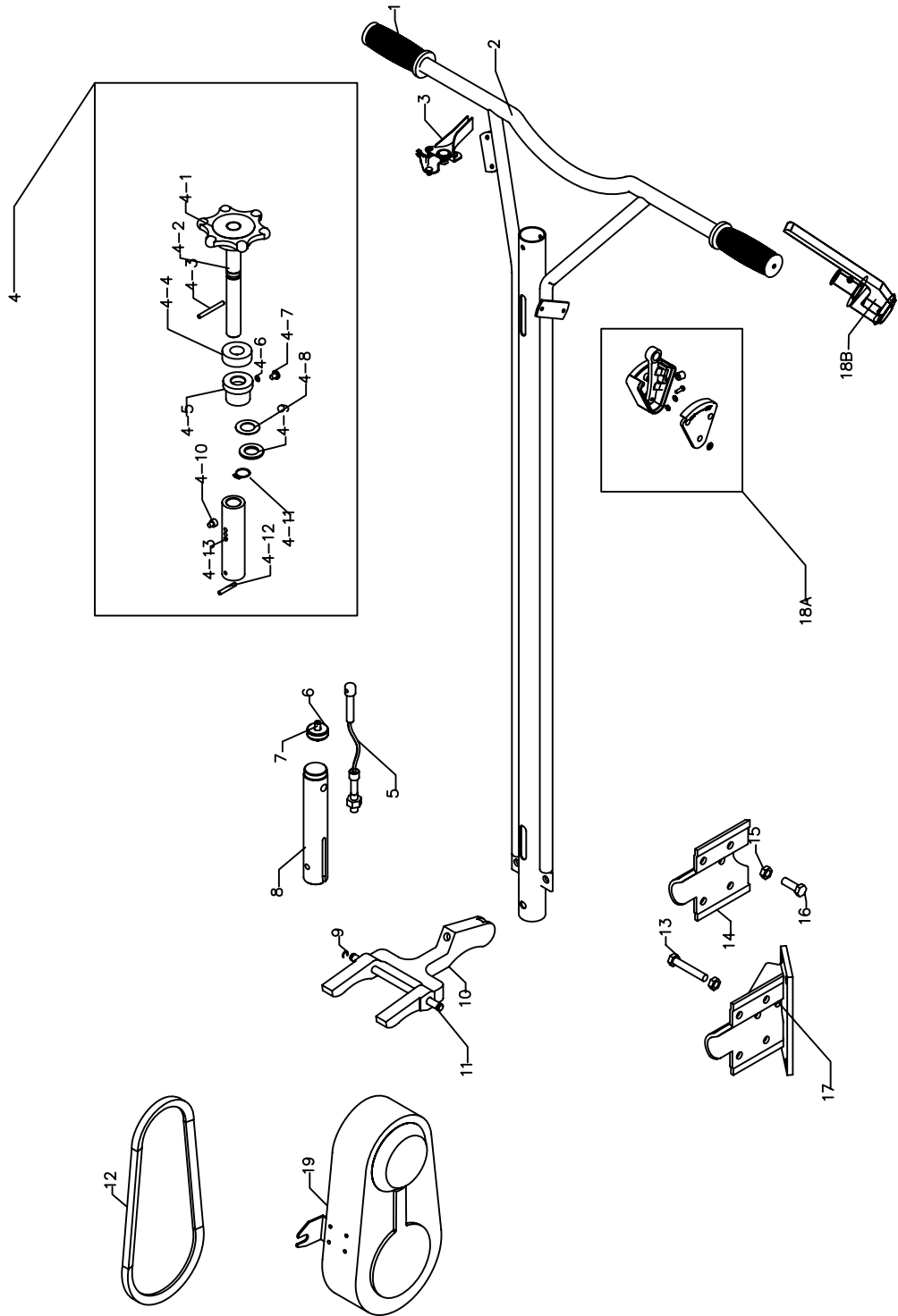
Fax: 86 21 54882948

Website: www.bomaxengineering.com

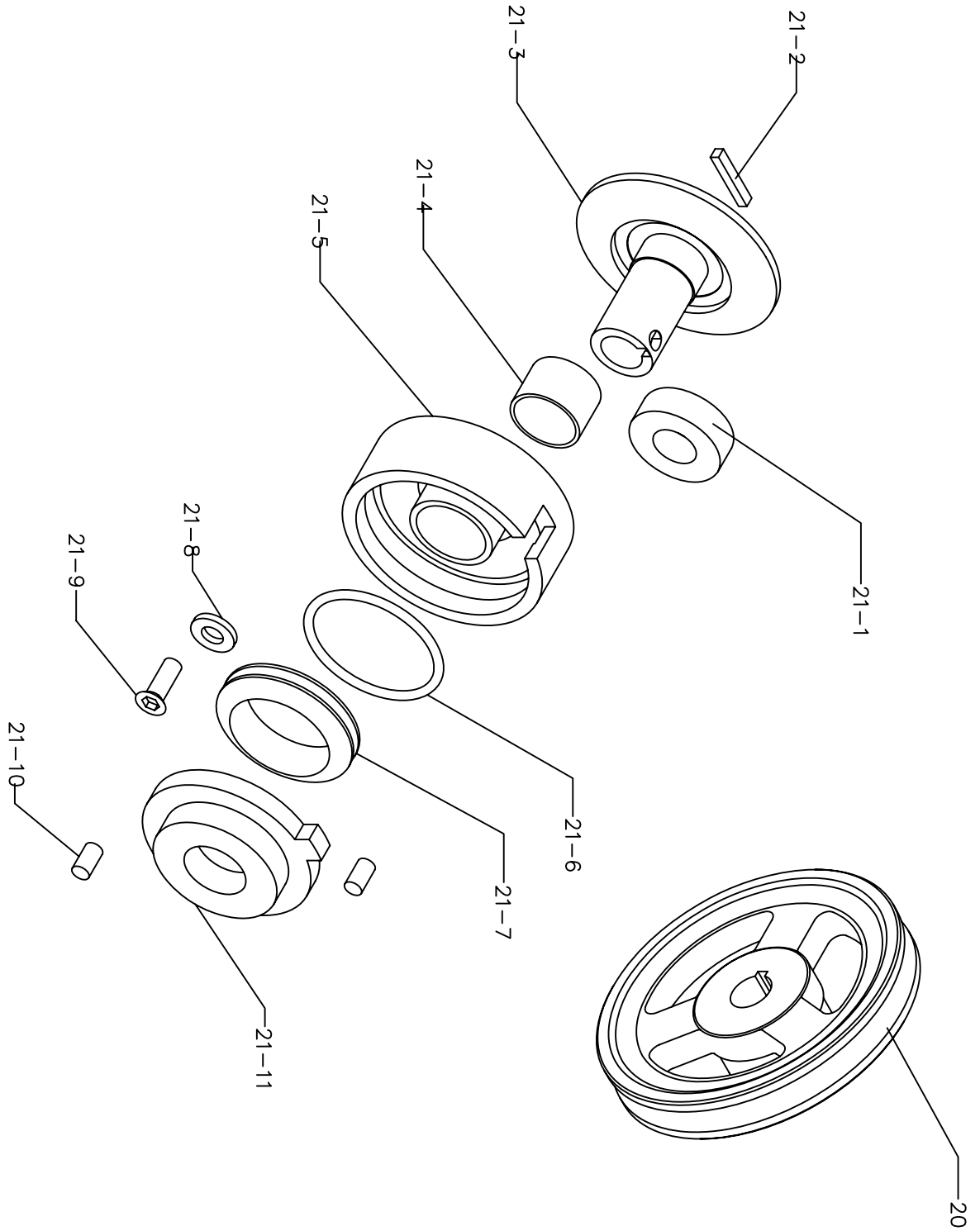
E-mail: webmaster@bomaxengineering.com

Ver.01 2009

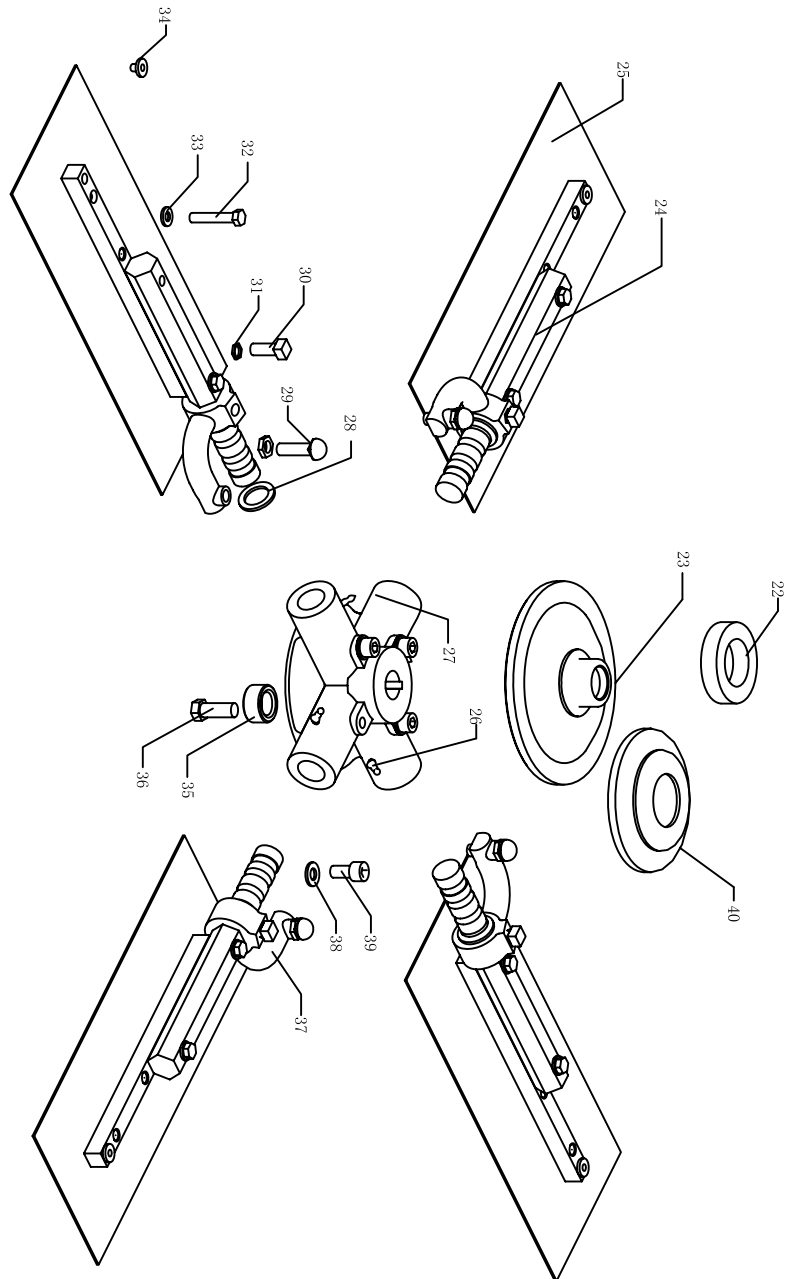
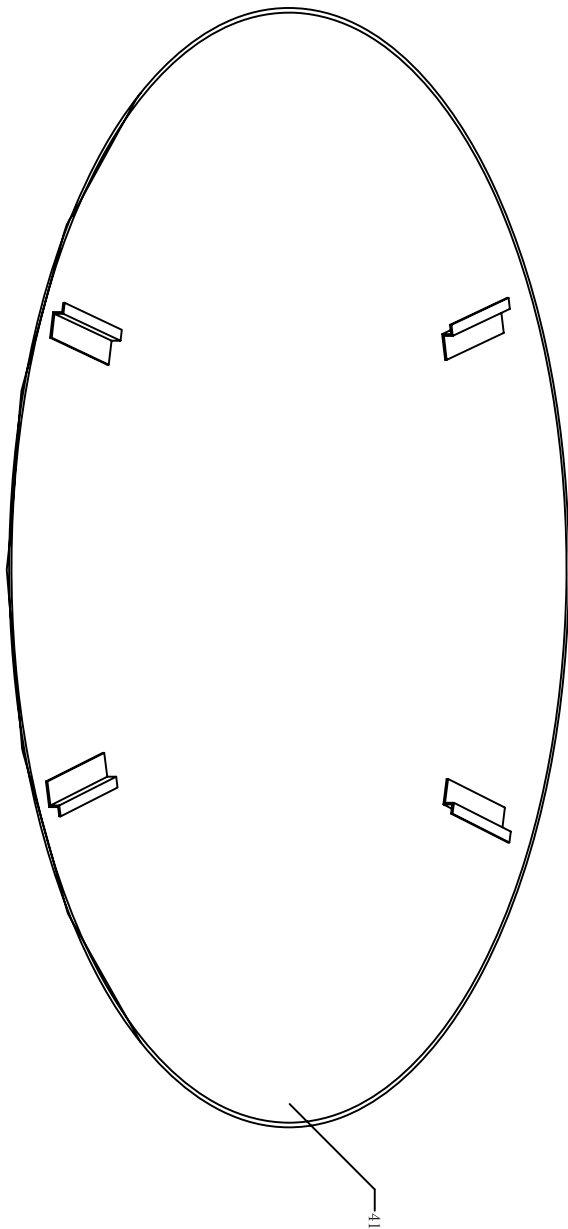
BM436-B PARTS LIST



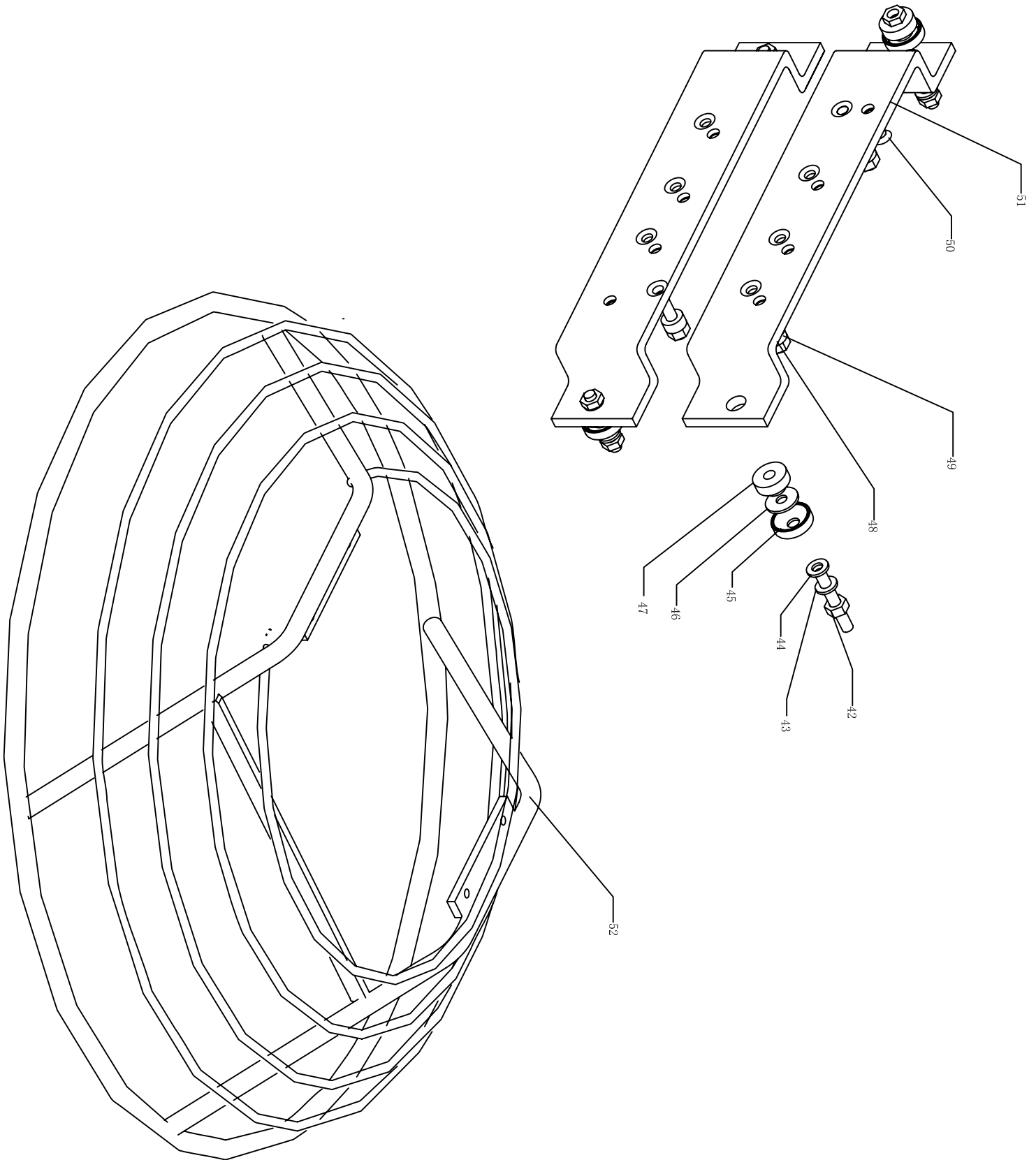
| Ref. No. | Description | QTY | Price(\$)/pc |
|--------------|---------------------------------|-----|--------------|
| BM436-B-1 | plastic handle cover | 2 | |
| BM436-B-2 | handel assy. | 1 | |
| BM436-B-3 | engine throttle control assy. | 1 | |
| BM436-B-4 | blades adjust handle assy. | 1 | |
| BM436-B-4-1 | adjust wheel | 1 | |
| BM436-B-4-2 | adjust bolt | 1 | |
| BM436-B-4-3 | pin | 1 | |
| BM436-B-4-4 | bearing | 1 | |
| BM436-B-4-5 | direction pipe | 1 | |
| BM436-B-4-6 | spring washer | 1 | |
| BM436-B-4-7 | screw | 1 | |
| BM436-B-4-8 | spring washer | 1 | |
| BM436-B-4-9 | adjust washer | 1 | |
| BM436-B-4-10 | bolt | 1 | |
| BM436-B-4-11 | shaft guide washer | 1 | |
| BM436-B-4-12 | pin | 1 | |
| BM436-B-4-13 | shaft of blades adjust | 1 | |
| BM436-B-5 | blades adjust wire assy. | 1 | |
| BM436-B-6 | rotal wheel | 1 | |
| BM436-B-7 | pin shaft | 1 | |
| BM436-B-8 | adjust scew nut | 1 | |
| BM436-B-9 | pin lock | 2 | |
| BM436-B-10 | yoke arm | 1 | |
| BM436-B-11 | shaft of yoke arm | 1 | |
| BM436-B-12 | belt | 1 | |
| BM436-B-13 | M10 bolt | 4 | |
| BM436-B-14 | handle upper support plate | 1 | |
| BM436-B-15 | M10 lock nut | 5 | |
| BM436-B-16 | M10 bolt | 1 | |
| BM436-B-17 | handle low suooprt plate | 1 | |
| BM436-B-18 | 18A stop switch(US style) | 1 | |
| | 18B stop switch(European Style) | 1 | |
| BM436-B-19 | belt cover assy. | 1 | |



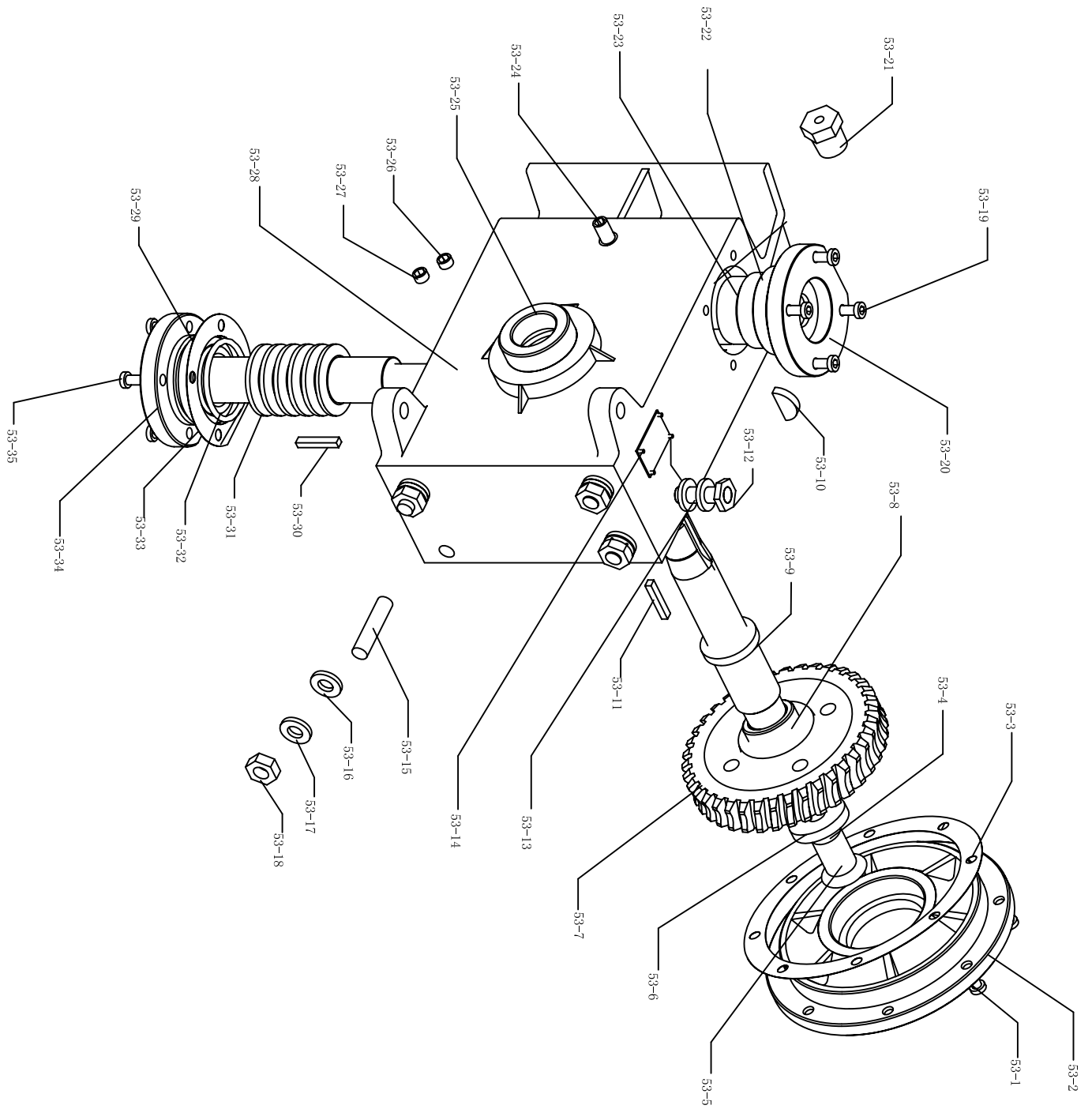
| Ref. No. | Description | QTY | Price(\$)/pc |
|---------------|-----------------|------|--------------|
| BM436-B-20 | gear-box pulley | 1 | |
| BM436-B-21 | clutch assy. | 1 | |
| BM436-B-21-1 | bearing | 1 | |
| BM436-B-21-2 | clutch key | 1 | |
| BM436-B-21-3 | spinde | 1 | |
| BM436-B-21-4 | bushing | 1 | |
| BM436-B-21-5 | drum | 1 | |
| BM436-B-21-6 | clutch spring | 1 | |
| BM436-B-21-7 | shoe weight | 1set | |
| BM436-B-21-8 | washer | 1 | |
| BM436-B-21-9 | bolt | 1 | |
| BM436-B-21-10 | screw | 2 | |
| BM436-B-21-11 | face plate | 1 | |



| Ref. No. | Description | QTY | Price(\$)/pc |
|------------|--------------------------|------|--------------|
| BM436-B-22 | press plate bearing | 1 | |
| BM436-B-23 | press plate | 1 | |
| BM436-B-24 | blade shaft | 4 | |
| BM436-B-25 | blades assy. | 1set | |
| BM436-B-26 | grease cup | 4 | |
| BM436-B-27 | spider base | 1 | |
| BM436-B-28 | oil seal | 4 | |
| BM436-B-29 | angle arm bolt & nut | 4 | |
| BM436-B-30 | square bolt | 4 | |
| BM436-B-31 | square bolt washer | 4 | |
| BM436-B-32 | blade bolt | 4 | |
| BM436-B-33 | blade shaft washer | 4 | |
| BM436-B-34 | spider blade plastic cap | 4 | |
| BM436-B-35 | spider tighten bush | 1 | |
| BM436-B-36 | spider tighten bolt | 1 | |
| BM436-B-37 | angle arm | 4 | |
| BM436-B-38 | spring washer | 4 | |
| BM436-B-39 | bolt | 4 | |
| BM436-B-40 | cover of press plate | 1 | |
| BM436-B-41 | pan | 1 | |



| Ref. No. | Description | QTY | Price(\$)/pc |
|------------|-------------------------------|------|--------------|
| BM436-B-42 | engine mounting nut | 4 | |
| BM436-B-43 | engine mounting spring washer | 4 | |
| BM436-B-44 | engine mounting washer | 4 | |
| BM436-B-45 | steel bowl | 4 | |
| BM436-B-46 | plate washer | 4 | |
| BM436-B-47 | rubber washer | 4 | |
| BM436-B-48 | bolt | 4 | |
| BM436-B-49 | washer | 4 | |
| BM436-B-50 | screw | 6 | |
| BM436-B-51 | engine mounting base | 1set | |
| BM436-B-52 | guard ring | 1 | |



| Ref. No. | Description | QTY | Price(\$)/pc |
|---------------|-------------------------------|-----|--------------|
| BM436-B-53 | gear-box assy. | 1 | |
| BM436-B-53-1 | gear-box cover tighten screw | 16 | |
| BM436-B-53-2 | gear-box cover | 1 | |
| BM436-B-53-3 | seal washer | 1 | |
| BM436-B-53-4 | press washer | 1 | |
| BM436-B-53-5 | bolt of worn | 1 | |
| BM436-B-53-6 | worn gear right bearing | 1 | |
| BM436-B-53-7 | worn gear | 1 | |
| BM436-B-53-8 | worn gear left bearing | 1 | |
| BM436-B-53-9 | main shaft | 1 | |
| BM436-B-53-10 | main shaft wood key | 1 | |
| BM436-B-53-11 | main shaft key | 1 | |
| BM436-B-53-12 | belt cover mounting nut | 1 | |
| BM436-B-53-13 | belt cover mounting bolt | 1 | |
| BM436-B-53-14 | name plate | 1 | |
| BM436-B-53-15 | handle mouting bolt | 4 | |
| BM436-B-53-16 | handle mounting spring washer | 4 | |
| BM436-B-53-17 | hangdle mounting plate washer | 4 | |
| BM436-B-53-18 | handle mounting nut | 4 | |
| BM436-B-53-19 | left cover tighten bolt | 4 | |
| BM436-B-53-20 | left cover | 1 | |
| BM436-B-53-21 | release valve | 1 | |
| BM436-B-53-22 | left cover oil seal | 1 | |
| BM436-B-53-23 | left cover bearing | 1 | |
| BM436-B-53-24 | screw | 1 | |
| BM436-B-53-25 | main shaft oil seal | 1 | |
| BM436-B-53-26 | oil plug | 1 | |
| BM436-B-53-27 | oil level check | 1 | |
| BM436-B-53-28 | gear-box shell | 1 | |
| BM436-B-53-29 | right cover bearing | 1 | |
| BM436-B-53-30 | worn shaft key | 1 | |
| BM436-B-53-31 | worn shaft | 1 | |
| BM436-B-53-32 | oil ring | 2 | |
| BM436-B-53-33 | seal washer | 1 | |
| BM436-B-53-34 | right cover | 1 | |
| BM436-B-53-35 | right cover tighten bolt | 6 | |