



BMGE-520 PARTS LIST



SHANGHAI BOAMX ENGINEERING INC.

Address: Blvd.4 No.300 Youdong Rd, Shanghai, China, 201100

Tel: 86 21 54882951

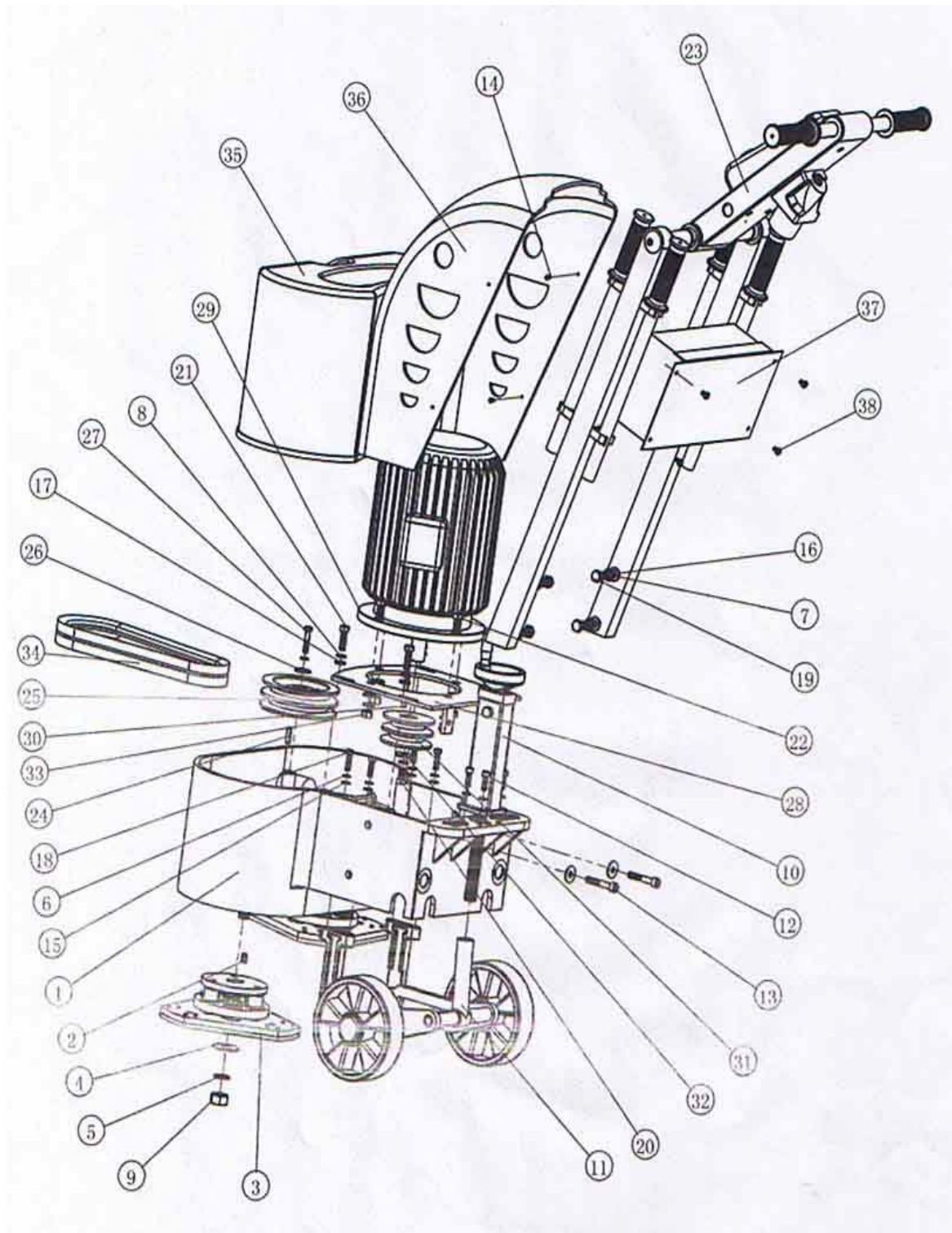
Fax: 86 21 54882948

Website: www.bomaxengineering.com

E-mail: webmaster@bomaxengineering.com

Ver.01 2009

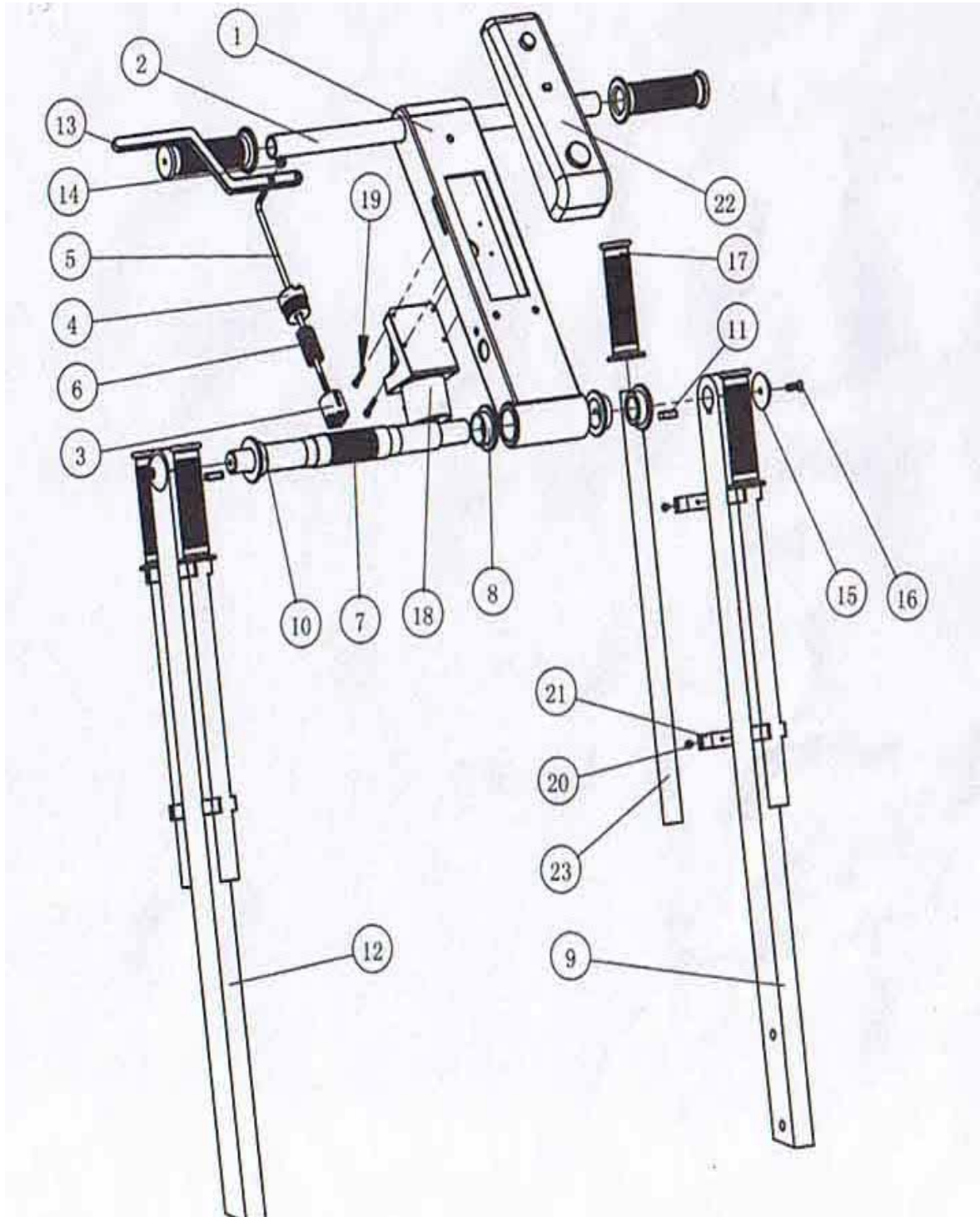
I GENERAL



I GENERAL

Ref. No	Description	Qty	Price(\$)/pc
BMGE-520-1	gear-box assy.	1	
BMGE-520-2	plate key 8x7x16	2	
BMGE-520-3	adaptor assy. (left & right)	2	
BMGE-520-4	plate washer 19x50x3	2	
BMGE-520-5	spring washer M18	2	
BMGE-520-6	spring washer M18	9	
BMGE-520-7	spring washer M12	8	
BMGE-520-8	spring washer M10	5	
BMGE-520-9	hex bolt M18	2	
BMGE-520-10	adjust handle assy.	1	
BMGE-520-11	wheel assy.	1	
BMGE-520-12	internal hex bolt M8x25	4	
BMGE-520-13	internal hex bolt M10x60	2	
BMGE-520-14	internal hex bolt M4x8	4	
BMGE-520-15	plate washer M8	4	
BMGE-520-16	plate washer M12	8	
BMGE-520-17	plate washer M10	4	
BMGE-520-18	hex bolt M8x30	4	
BMGE-520-19	hex bolt M12x25	4	
BMGE-520-20	hex bolt M10x30	1	
BMGE-520-21	hex bolt M10x35	4	
BMGE-520-22	hex bolt M12x30	4	
BMGE-520-23	handle assy.	1	
BMGE-520-24	key c type 8x7x30	1	
BMGE-520-25	pulley	1	
BMGE-520-26	plate washer M10	3	
BMGE-520-27	hex bolt M8x40x20	1	
BMGE-520-28	motor mounting plate	1	
BMGE-520-29	motor 3.75/5.5KW	1	
BMGE-520-30	key B type 8x7x55		
BMGE-520-31	motor pulley	1	
BMGE-520-32	plate washer M10	1	
BMGE-520-33	nut M12	4	
BMGE-520-34	belt V type	2	
BMGE-520-35	water tank	1	
BMGE-520-36	motor cover	1	
BMGE-520-37	motor control	1	
BMGE-520-38	bolt M6x10	4	

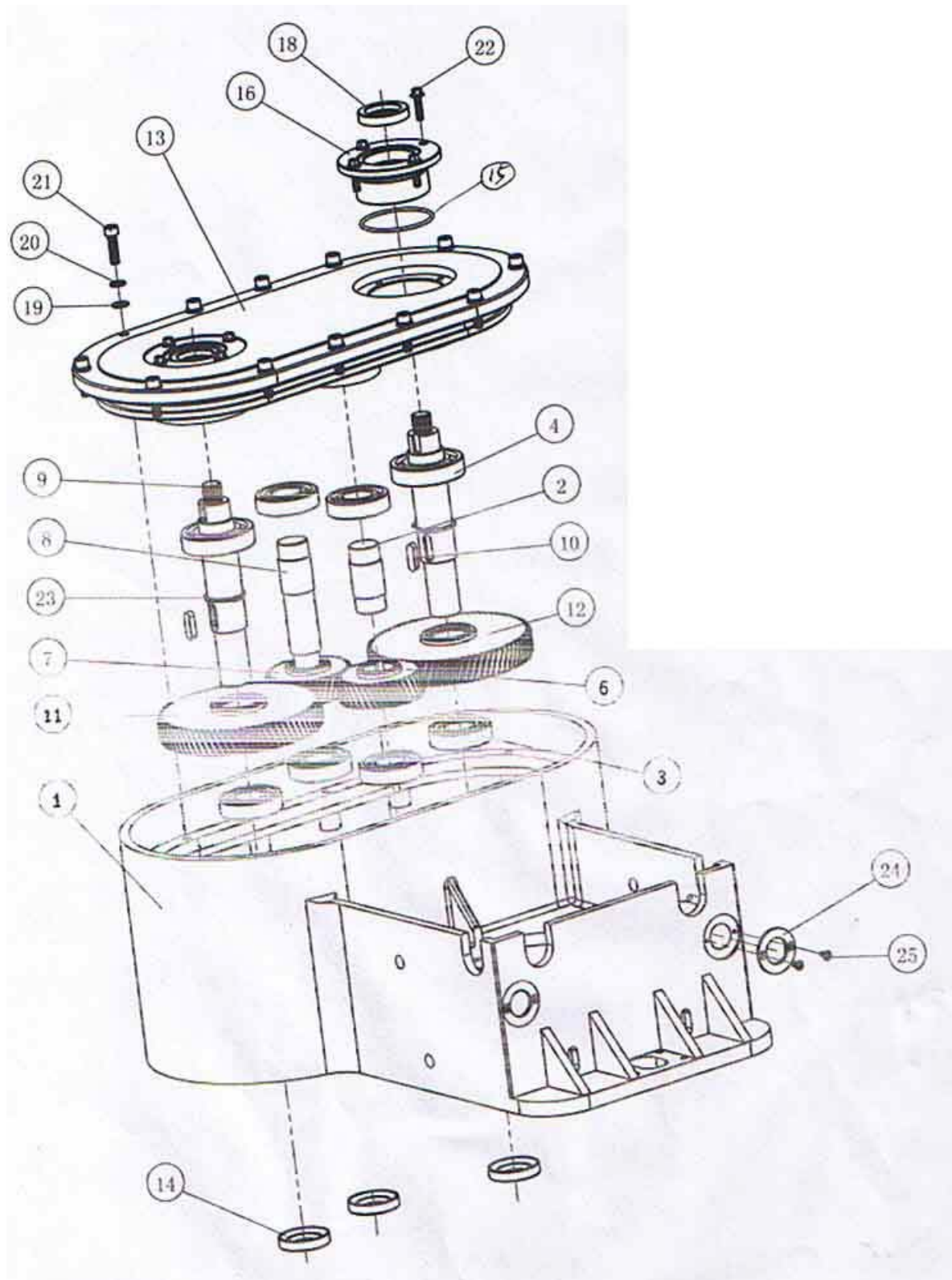
II HANDLE



II HANDLE

Ref. No	Description	Qty	Price(\$)/pc
BMGE-520-23-1	middle handle	1	
BMGE-520-23-2	handle bar	1	
BMGE-520-23-3	position gear	1	
BMGE-520-23-4	plug	1	
BMGE-520-23-5	adjust connect	1	
BMGE-520-23-6	spring	1	
BMGE-520-23-7	gear shaft of handle	1	
BMGE-520-23-8	position guide	2	
BMGE-520-23-9	side handle(left)	1	
BMGE-520-23-10	position bushing	2	
BMGE-520-23-11	key 8x7x25	2	
BMGE-520-23-12	side handle(right)	1	
BMGE-520-23-13	adjust bar	1	
BMGE-520-23-14	nut M6	1	
BMGE-520-23-15	plug	2	
BMGE-520-23-16	bolt M6x20	2	
BMGE-520-23-17	handle cover	6	
BMGE-520-23-18	wire adaptor	1	
BMGE-520-23-19	internal hex bolt M4x25	4	
BMGE-520-23-20	internal hex bolt M4x6	4	
BMGE-520-23-21	Clamp	8	
BMGE-520-23-22	control mounting box	1	
BMGE-520-23-23	carry bar	4	

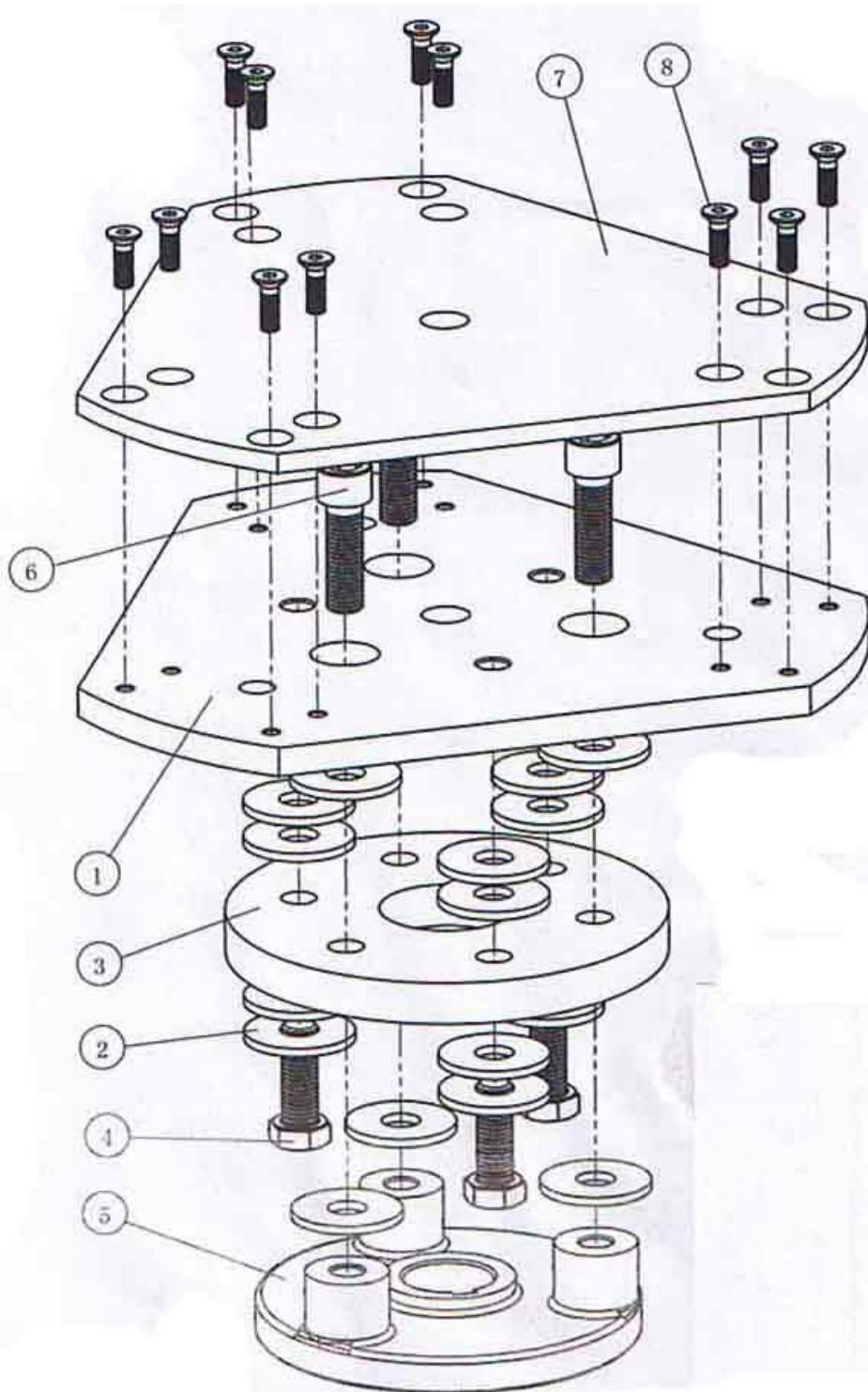
III GEAR-BOX



III GEAR-BOX

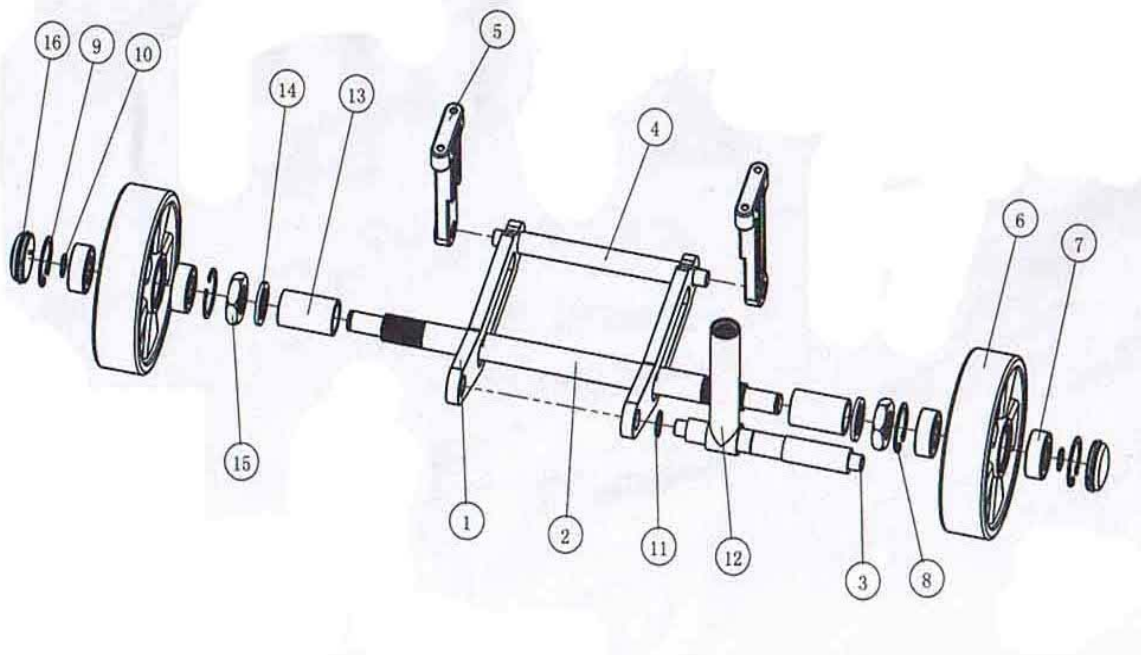
Ref. No	Description	Qty	Price (\$)/pc
BMGE-520-1-1	gear-box shell	1	
BMGE-520-1-2	short gear shaft	1	
BMGE-520-1-3	bearing ISO015-0230-12	6	
BMGE-520-1-4	bearing ISO015-0235-12	2	
BMGE-520-1-5	key 8x7x25	2	
BMGE-520-1-6	small gear(right)	1	
BMGE-520-1-7	small gear(left)	1	
BMGE-520-1-8	middle gear shaft	1	
BMGE-520-1-9	exhaust shaft	2	
BMGE-520-1-10	key 8x7x27	2	
BMGE-520-1-11	big gear(right)	1	
BMGE-520-1-12	big gear(left)	1	
BMGE-520-1-13	gear-box cover	1	
BMGE-520-1-14	seal 50x30x10	3	
BMGE-520-1-15	o ring	2	
BMGE-520-1-16	cover plate	2	
BMGE-520-1-17	o ring(big)	1	
BMGE-520-1-18	seal	2	
BMGE-520-1-19	plate washer M8	12	
BMGE-520-1-20	spring washer M8	14	
BMGE-520-1-21	internal hex bolt M8x30	12	
BMGE-520-1-22	internal hex bolt with washer	8	
BMGE-520-1-23	lock 35x2.5	2	
BMGE-520-1-24	carry bar protect ring	4	
BMGE-520-1-25	bolt M4x10	8	

IV BLADES ADAPTOR



IV BLADES ADAPTOR

Ref. No	Description	Qty	Price(\$)/pc
BMGE-520-3-1	adaptor base(steel)	1	
BMGE-520-3-2	plate washer M12	18	
BMGE-520-3-3	plastic pan	1	
BMGE-520-3-4	hex bolt M12x35	3	
BMGE-520-3-5	polishing head	1	
BMGE-520-3-6	internal hex bolt M12x40	3	
BMGE-520-3-7	cover of adaptor base(plastic)	1	
BMGE-520-3-8	bolt M6x20	12	

V WHEEL

V WHEEL

Ref. No	Description	Qty	Price(\$)/pc
BMGE-520-11-1	yoke base	2	
BMGE-520-11-2	shaft of yoke base	1	
BMGE-520-11-3	rear shaft of yoke base	1	
BMGE-520-11-4	front shaft of yoke base	1	
BMGE-520-11-5	fix plate of yoke base	2	
BMGE-520-11-6	wheel	2	
BMGE-520-11-7	bearing ISO-15-RBB-2220-10	4	
BMGE-520-11-8	lock 47x2	2	
BMGE-520-11-9	lock 47x1.75	2	
BMGE-520-11-10	lock 20x1.2	2	
BMGE-520-11-11	lock 22x1.2	1	
BMGE-520-11-12	adjust guide	1	
BMGE-520-11-13	bush of yoke base shaft	2	
BMGE-520-11-14	spring washer A27	2	
BMGE-520-11-15	nut M27	2	
BMGE-520-11-16	wheel cover	2	