



BM-JIC-16A CONCRETE CUTTER PARTS LIST



SHANGHAI BOAMX ENGINEERING INC.

Address: Blvd.4 No.300 Youdong Rd, Shanghai, China, 201100

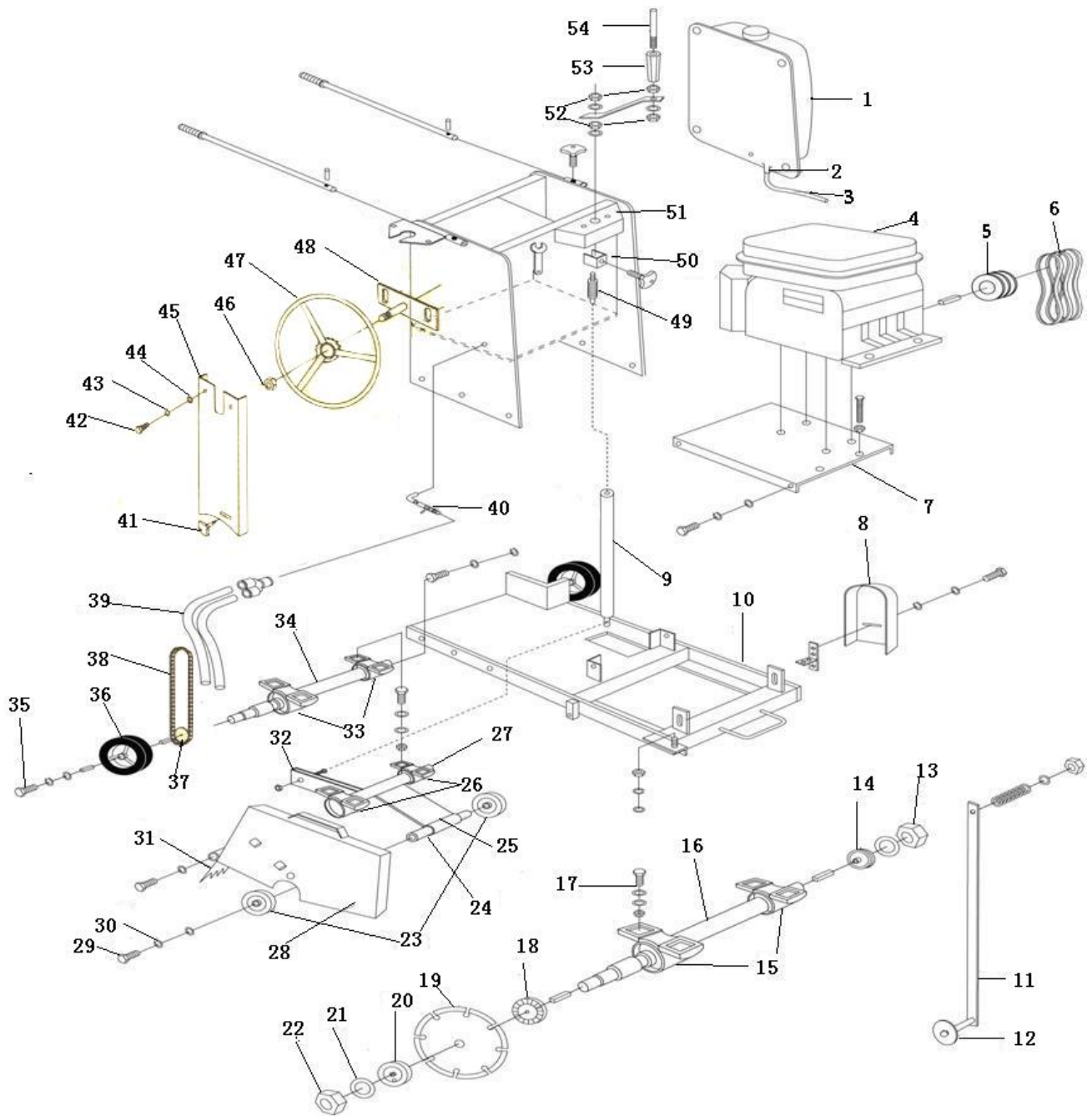
Tel: 86 21 54882951

Fax: 86 21 54882948

Website: www.bomaxengineering.com

E-mail: webmaster@bomaxengineering.com

Ver.01 2009



Parts No.	Descriptions	Qty	Price
BM-JIC-16A-1	Fuel Tank	1	
BM-JIC-16A-2	Fuel Stop Valve	1	
BM-JIC-16A-3	Fuel Hose	1	
BM-JIC-16A-4	4-cycle gasoline engine	1	
BM-JIC-16A-5	V-Belt Pulley(Engine Side)	1	
BM-JIC-16A-6	V-Belt	3	
BM-JIC-16A-7	engine mounting base	1	
BM-JIC-16A-8	V-belt Pulley Cover	1	
BM-JIC-16A-9	Tie Rod Of Adjusting Shaft	1	
BM-JIC-16A-10	Main base	1	
BM-JIC-16A-11	moving guide level	1	
BM-JIC-16A-12	moving guide wheel	1	
BM-JIC-16A-13	Fix Nut For Blade Driving Shaft	1	
BM-JIC-16A-14	V-Belt Pulley(Blade Side)	1	
BM-JIC-16A-15	Bearing For Blade Driving Shaft	2	
BM-JIC-16A-16	Blade Driving Shaft	1	
BM-JIC-16A-17	Bearing Mounting Bolt w/washer	2	
BM-JIC-16A-18	Blade Holding Flange (male)	1	
BM-JIC-16A-19	Blade	1	
BM-JIC-16A-20	Blade Holding Flange (female)	1	
BM-JIC-16A-21	Spring Washer For Blade Flange	1	
BM-JIC-16A-22	Fix Nut w/ washer For Blade Flange	1	
BM-JIC-16A-23	Front Wheel	2	
BM-JIC-16A-24	Front Wheel Shaft	1	
BM-JIC-16A-25	Front Wheel Lifting Plate	1	
BM-JIC-16A-26	Hinge Bearing	2	
BM-JIC-16A-27	Control Arm Hinge Shaft	1	
BM-JIC-16A-28	Blade cover	1	

Parts No.	Descriptions	Qty	Price
BM-JIC-16A-29	Front Wheel Fasten bolt/ washer	2	
BM-JIC-16A-30	Spring Washer	2	
BM-JIC-16A-31	Fragment Guard	1	
BM-JIC-16A-32	Front Wheel Height Control Arm	2	
BM-JIC-16A-33	Bearing of wheel shaft	2	
BM-JIC-16A-34	Forwarding Wheel Shaft	1	
BM-JIC-16A-35	Forwarding Wheel Bolt w/ washer	2	
BM-JIC-16A-36	Forwarding Wheel	2	
BM-JIC-16A-37	Chain gear	1	
BM-JIC-16A-38	Chain	1	
BM-JIC-16A-39	Water Hose	1	
BM-JIC-16A-40	Water Stop Valve	1	
BM-JIC-16A-41	Cover mounting bolt	1	
BM-JIC-16A-42	Cover mounting bolt	2	
BM-JIC-16A-43	Spring washer	2	
BM-JIC-16A-44	Plate washer	2	
BM-JIC-16A-45	Chain cover	1	
BM-JIC-16A-46	Nut	1	
BM-JIC-16A-47	Drive wheel	1	
BM-JIC-16A-48	Drive wheel bracket	1	
BM-JIC-16A-49	Adjust screw	1	
BM-JIC-16A-50	Fit bolt	1	
BM-JIC-16A-51	Water tank assy.	1	
BM-JIC-16A-52	Nut	6	
BM-JIC-16A-53	Adjust bar	1	
BM-JIC-16A-54	Bolt	2	