



BM-TV-830 SPREADER PARTS LIST



SHANGHAI BOAMX ENGINEERING INC.

Address: Blvd.4 No.300 Youdong Rd, Shanghai, China, 201100

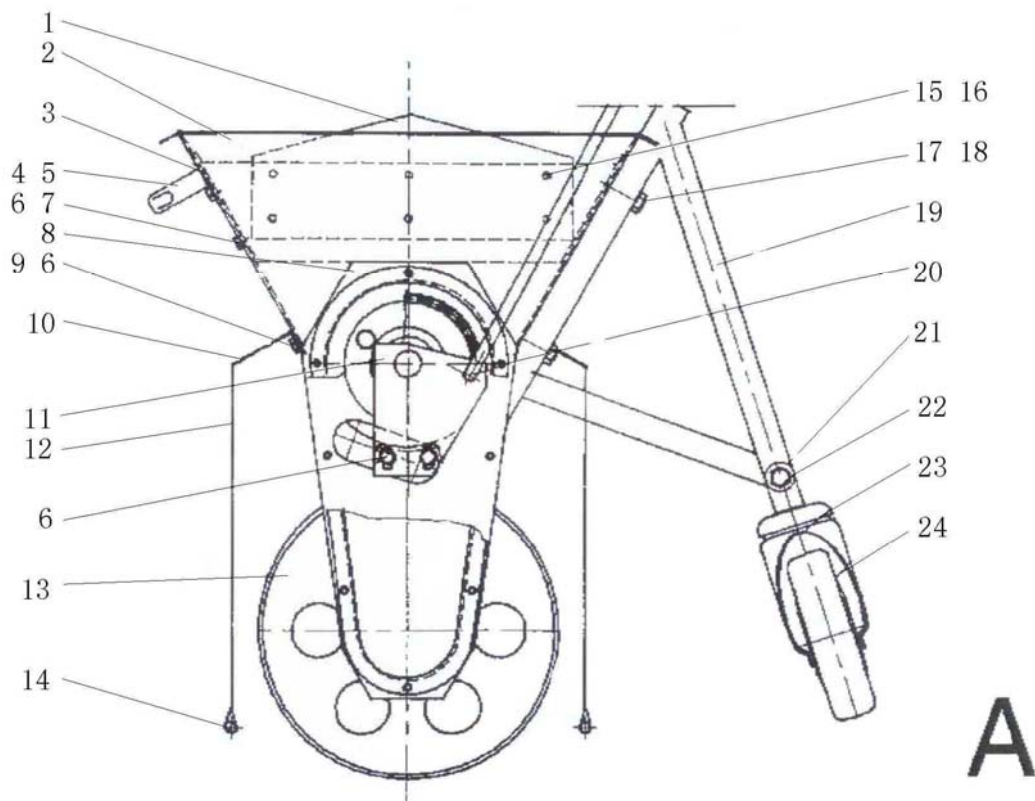
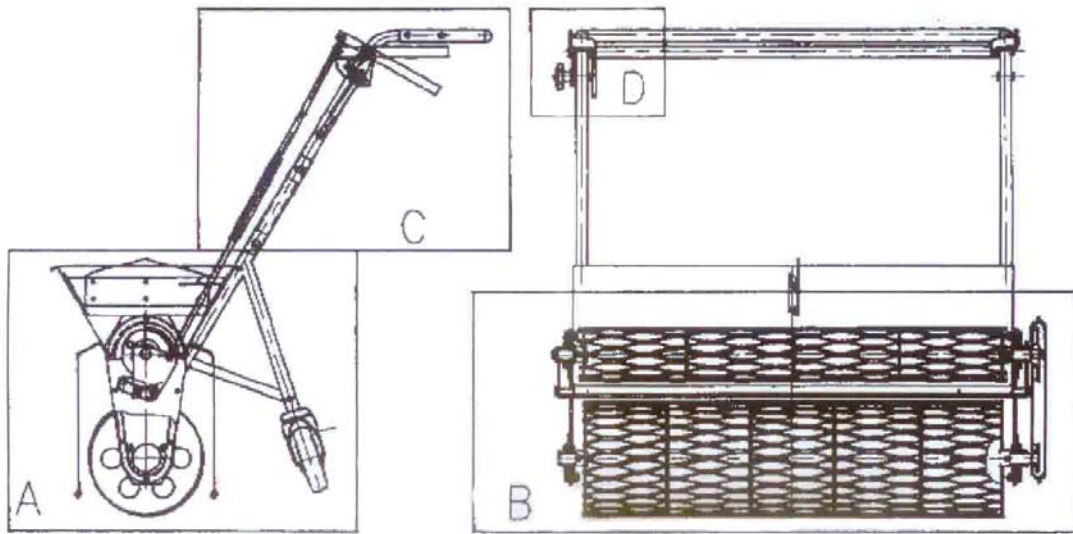
Tel: 86 21 54882951

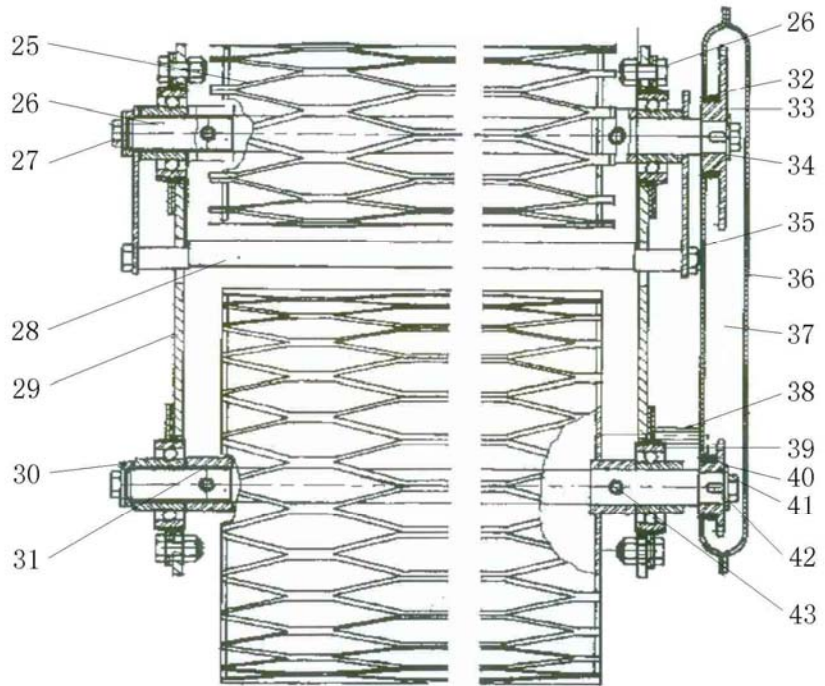
Fax: 86 21 54882948

Website: www.bomaxengineering.com

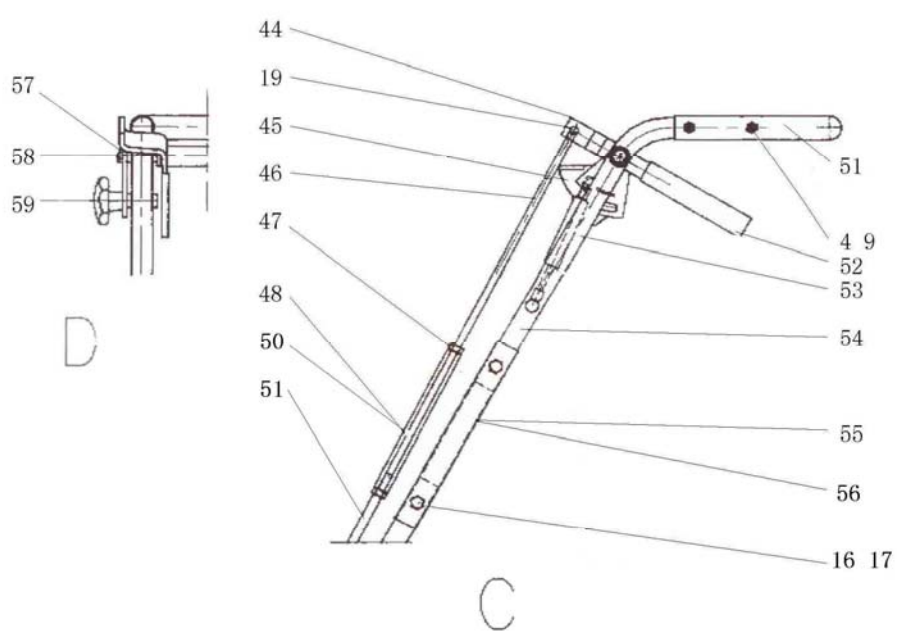
E-mail: webmaster@bomaxengineering.com

Ver.01 2009





B



C

D

BM-TV-830 SPREADER PARTS LIST			
PARTS NO.	DESCRIPTION	QTY	PRICE(\$)
BM-TV-830-1	Knife	1	
BM-TV-830-2	Container	1	
BM-TV-830-3	Console	1	
BM-TV-830-4	Screw M6S 6X35FZB	4	
BM-TV-830-5	Handle	2	
BM-TV-830-6	Screw MCS 6X10FZB	4	
BM-TV-830-7	Nut M6M 6 Nylock	4	
BM-TV-830-8	Gable Left	1	
BM-TV-830-9	Screw M6S 6X12FZB	10	
BM-TV-830-10	Mounting Angle	2	
BM-TV-830-11	Adjuster	2	
BM-TV-830-12	Dust Guard	2	
BM-TV-830-13	Cylinder cpl	1	
BM-TV-830-14	Hanging Weight	2	
BM-TV-830-15	Screw MCS 5X10FZB	6	
BM-TV-830-16	Nut M6M 5 Nylock	6	
BM-TV-830-17	Screw M6S 8X35 FZB	10	
BM-TV-830-18	Nut M6M 8 Nylock	10	
BM-TV-830-19	Support	2	
BM-TV-830-20	Split Pin SP2.5X16 FZB	2	
BM-TV-830-21	Bar	1	
BM-TV-830-22	Screw M6S 8X35 FZB	2	
BM-TV-830-23	Screw M6S 12X25FZB	2	
BM-TV-830-24	Support Wheel	2	
BM-TV-830-25	Stirrer cpl	1	
BM-TV-830-26	Shaft	2	
BM-TV-830-27	Screw M6S 8X18 FZB	12	
BM-TV-830-28	Door cpl	1	
BM-TV-830-29	Gable Right	1	
BM-TV-830-30	Sleeve	2	

PARTS NO.	DESCRIPTION	QTY	PRICE(\$)
BM-TV-830-31	Tube	2	
BM-TV-830-32	V-ring	1	
BM-TV-830-33	Sprocket	1	
BM-TV-830-34	Washer BRB 8.4X25X2FZB	4	
BM-TV-830-35	Chain Protektion	1	
BM-TV-830-36	Chain Protektion	1	
BM-TV-830-37	Chain ISO05 B 78ST	1	
BM-TV-830-38	Spacing Screw DSS M5080X40 FZB	5	
BM-TV-830-39	Bearing Flange	4	
BM-TV-830-40	V-ring	1	
BM-TV-830-41	Sprocket	1	
BM-TV-830-42	Key R5X5X15	2	
BM-TV-830-43	Stop Screw S6SS 10X10 FZB	2	
BM-TV-830-44	Operating Arm cpl	1	
BM-TV-830-45	Adjustment Plate	1	
BM-TV-830-46	Connecting Rod Right	2	
BM-TV-830-47	Nut M6M 8FZB	1	
BM-TV-830-48	Rigging Nut	1	
BM-TV-830-49	Rigging Nut	2	
BM-TV-830-50	Connecting Rod Left	2	
BM-TV-830-51	Handle	1	
BM-TV-830-52	Shrink Hose	1	
BM-TV-830-53	Gas Spring	2	
BM-TV-830-54	Tube cpl	2	
BM-TV-830-55	Jointing Sleeve	1	
BM-TV-830-56	Jointing Sleeve	1	
BM-TV-830-57	Shaft	1	
BM-TV-830-58	Ring	1	
BM-TV-830-59	Wheel	1	